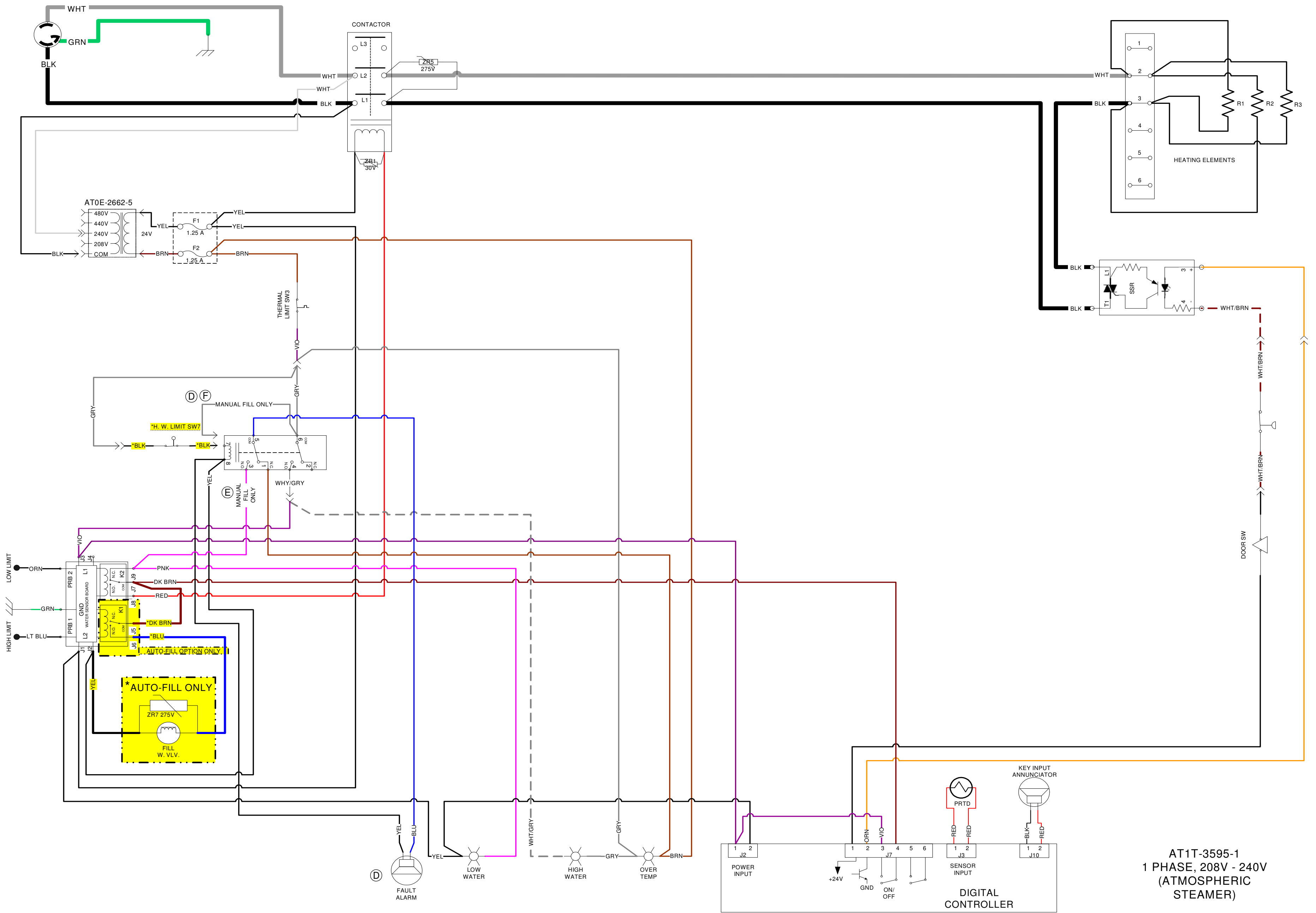




**SCHEMATICS  
ELECTRIC & GAS**

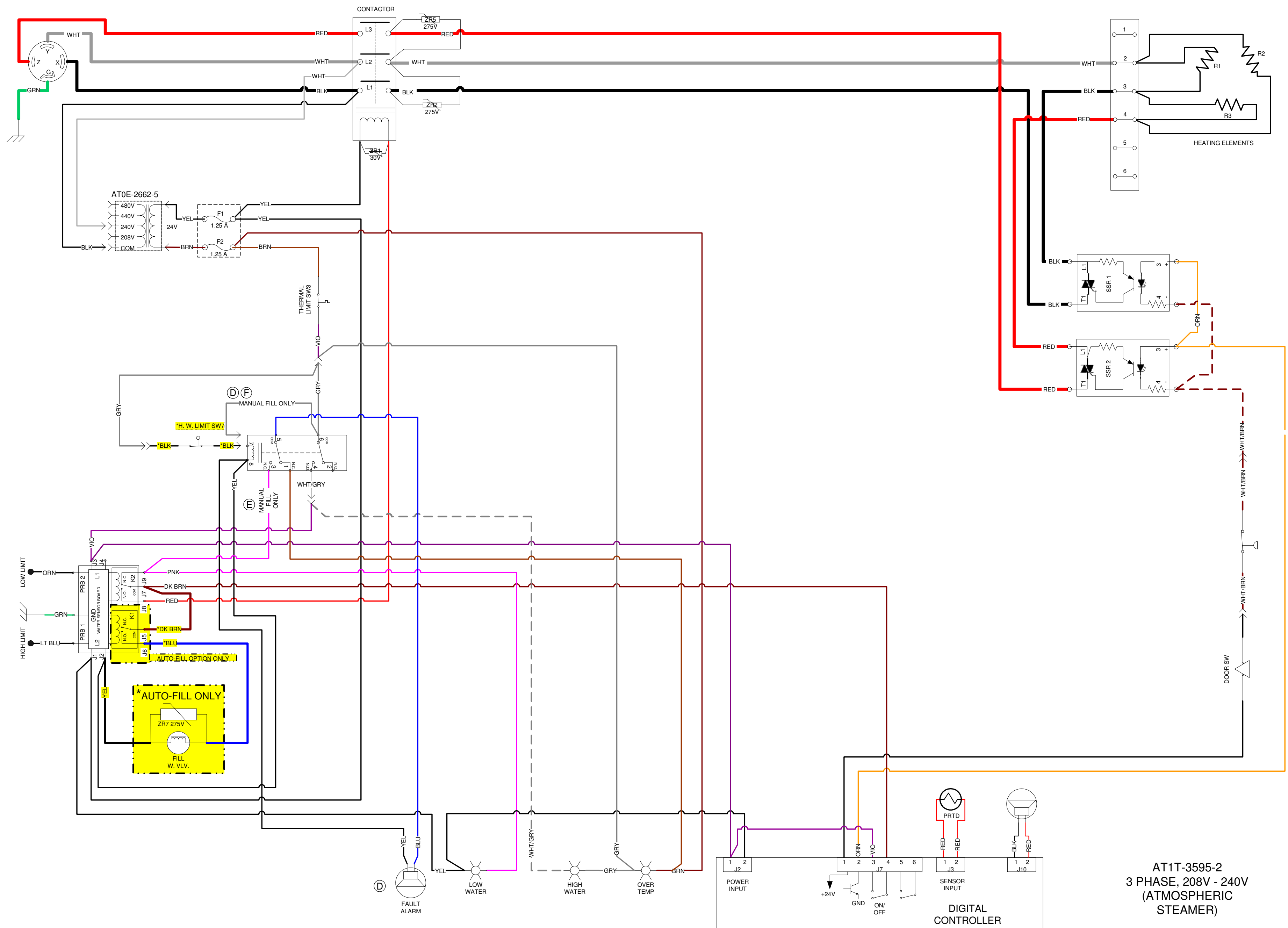


AT1T-3595-1  
 1 PHASE, 208V - 240V  
 (ATMOSPHERIC  
 STEAMER)

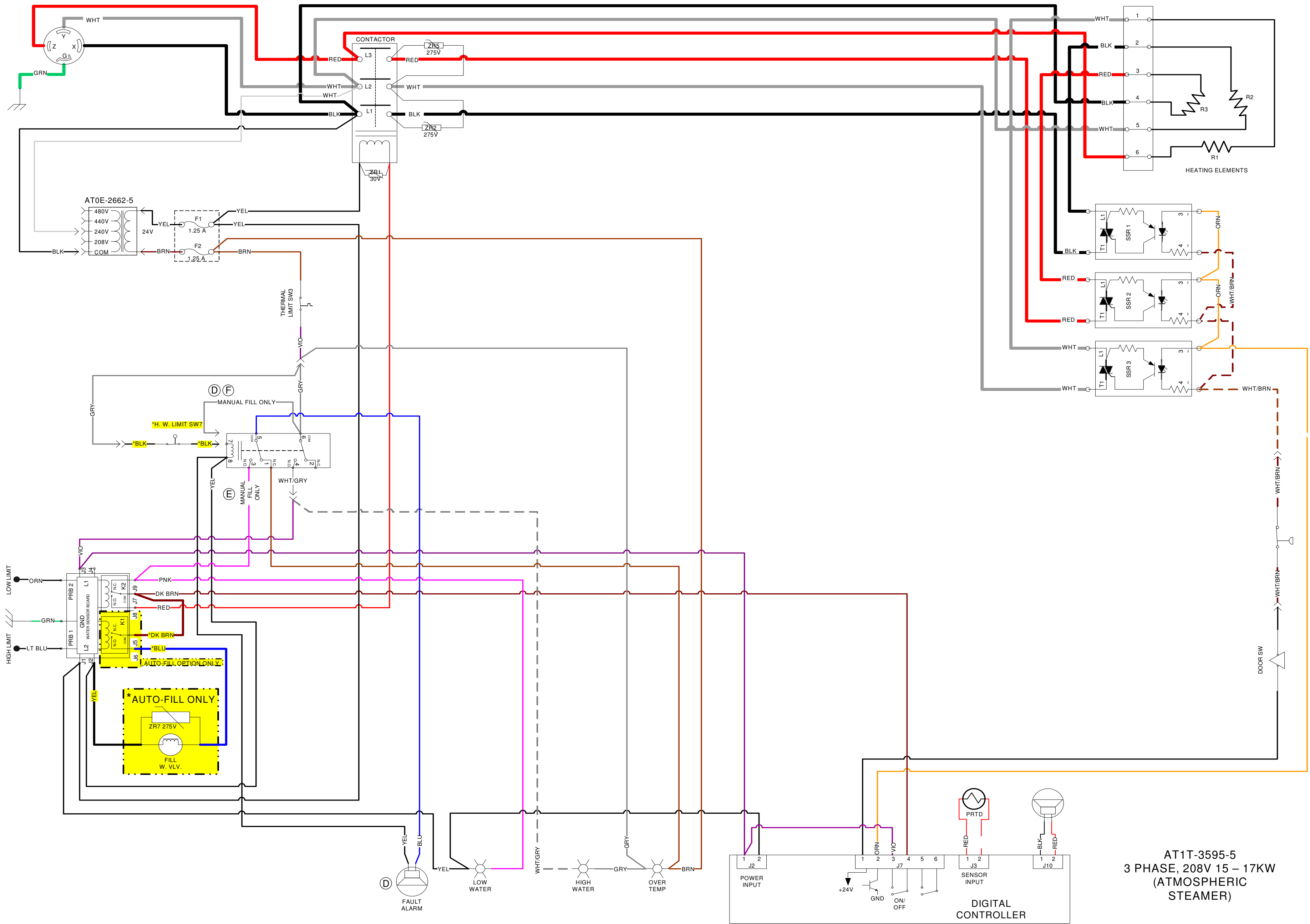


Title: **SCHEMATIC, STEAMER, ATMOSPHERIC**

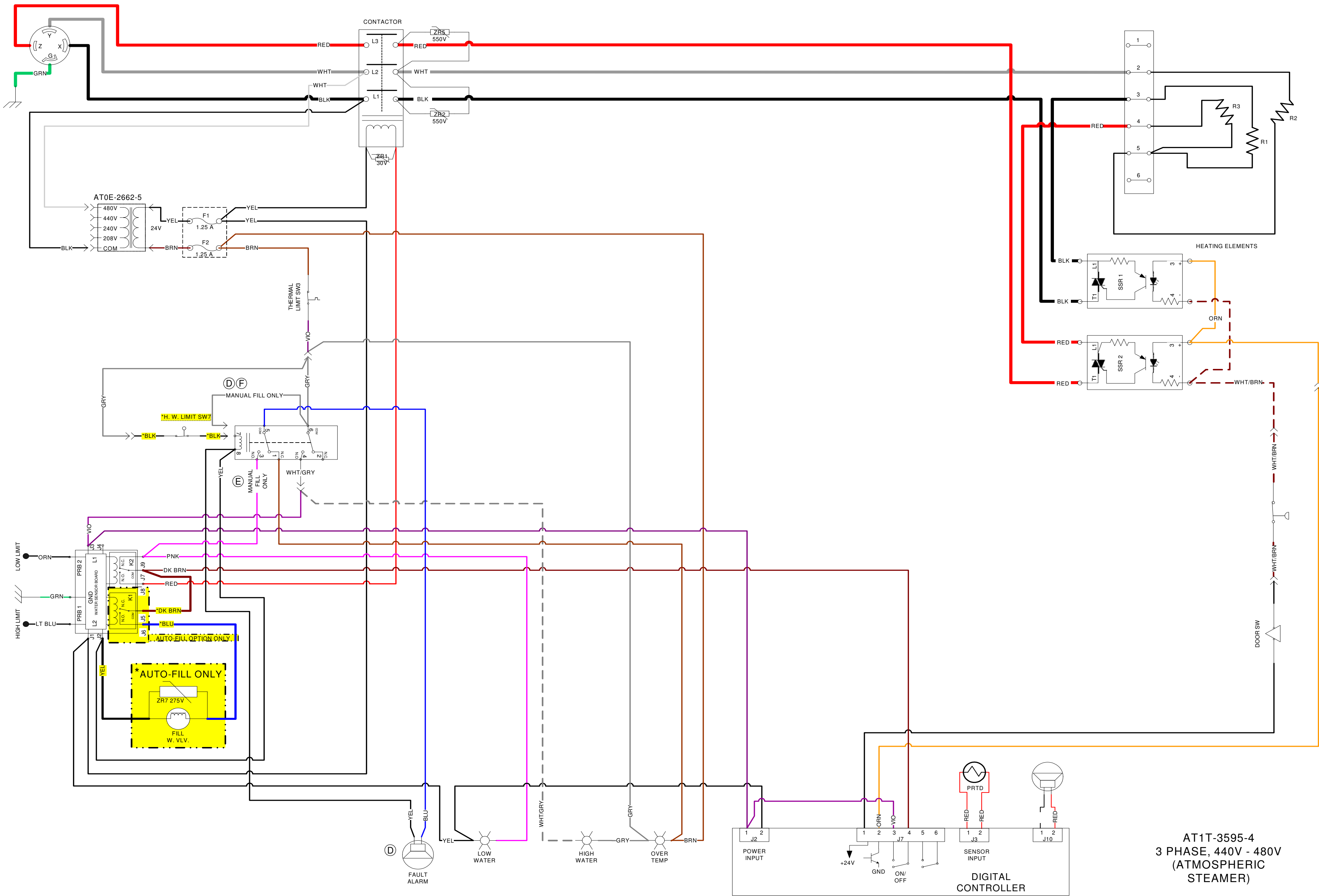
: Drawing No.: **AT1T-3595 F**



AT1T-3595-2  
 3 PHASE, 208V - 240V  
 (ATMOSPHERIC  
 STEAMER)



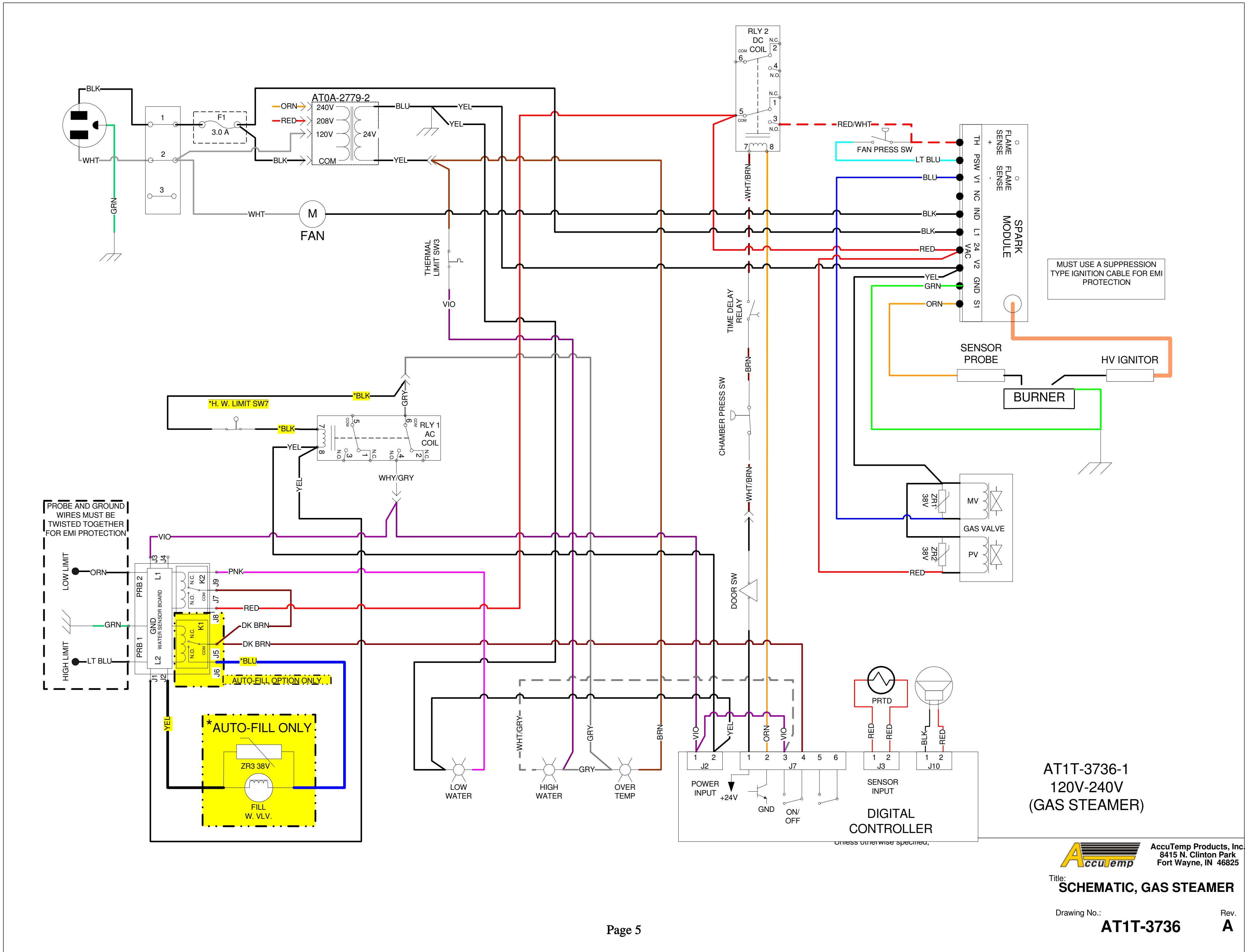
AT1T-3595-5  
 3 PHASE, 208V 15 – 17KW  
 (ATMOSPHERIC  
 STEAMER)

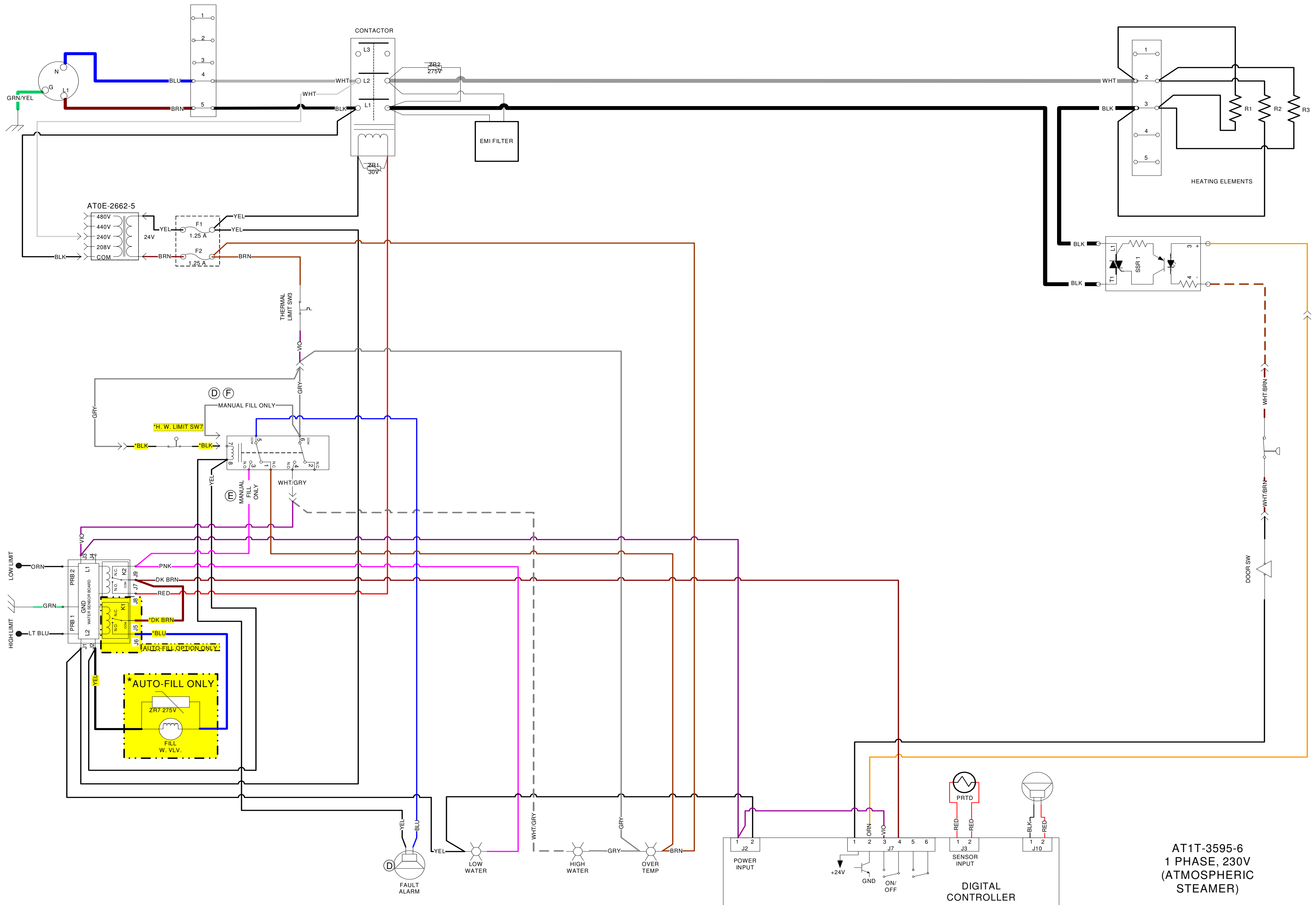


AT1T-3595-4  
 3 PHASE, 440V - 480V  
 (ATMOSPHERIC  
 STEAMER)

**AccuTemp** AccuTemp Products, Inc.  
 8415 N. Clinton Park  
 Fort Wayne, IN 46825

Title: **SCHEMATIC, STEAMER,  
 ATMOSPHERIC**  
 Drawing No.: **AT1T-3595** Rev. **F**

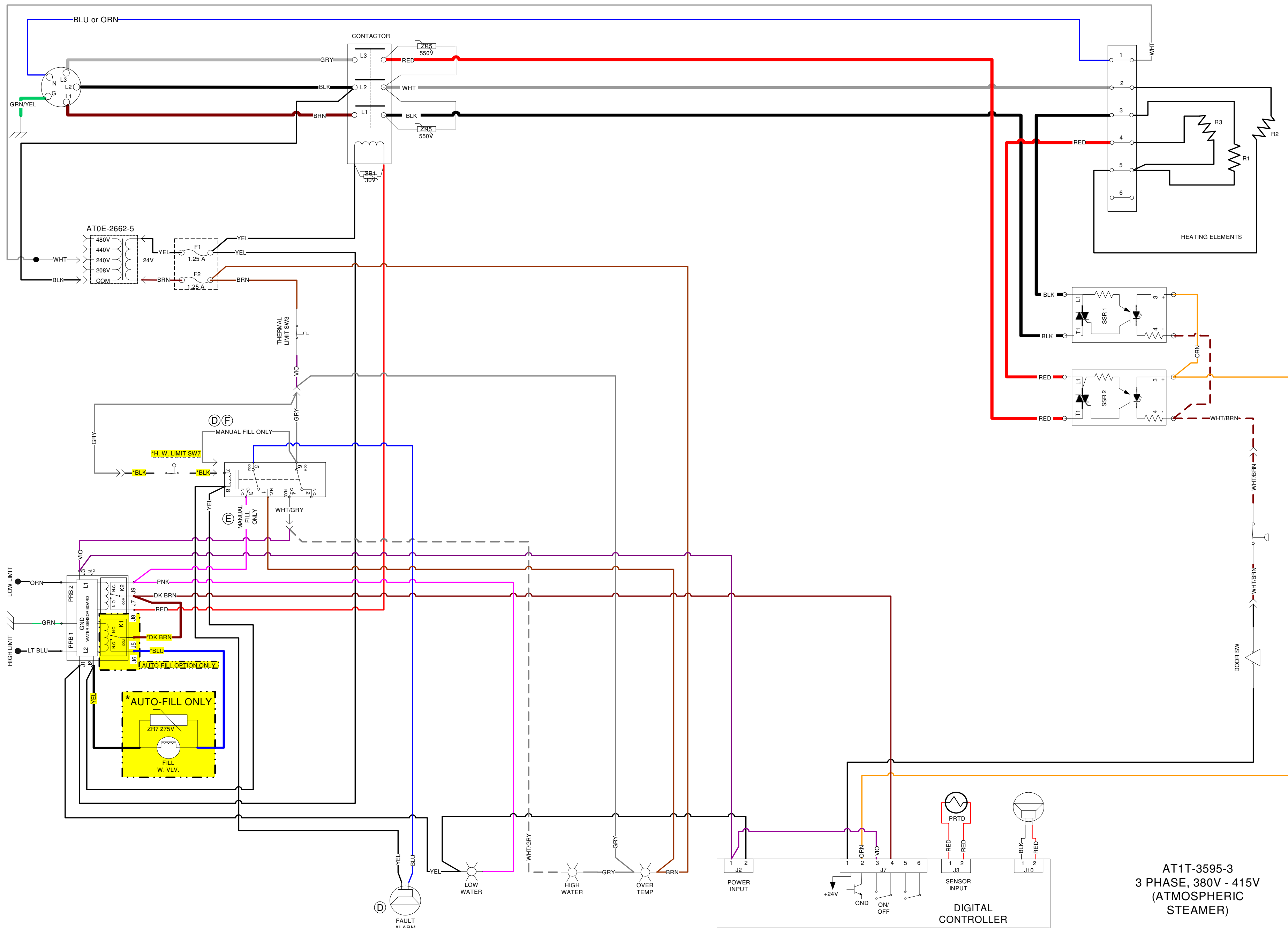




AT1T-3595-6  
1 PHASE, 230V  
(ATMOSPHERIC  
STEAMER)

**AccuTemp** AccuTemp Products, Inc.  
8415 N. Clinton Park  
Fort Wayne, IN 46825

Title: **SCHEMATIC, STEAMER,  
ATMOSPHERIC**  
Drawing No. **AT1T-3595** Rev. **F**



AT1T-3595-3  
 3 PHASE, 380V - 415V  
 (ATMOSPHERIC  
 STEAMER)

**AccuTemp** AccuTemp Products, Inc.  
 8415 N. Clinton Park  
 Fort Wayne, IN 46825

Title: **SCHEMATIC, STEAMER,  
 ATMOSPHERIC**  
 Drawing No.: **AT1T-3595** Rev. **F**