

# PARTS LIST

SELF-GENERATING STEAM JACKETED COUNTER TILTING KETTLES

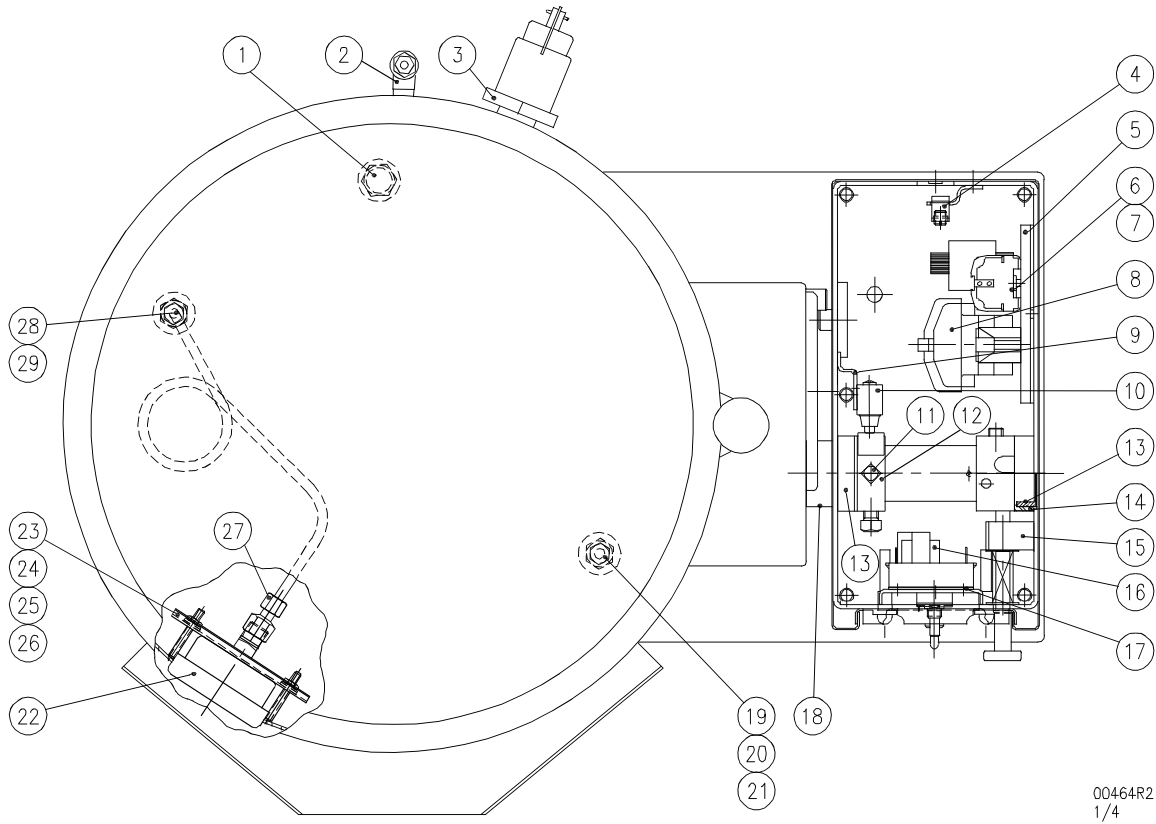
MODELS: EC-6TW  
EC-10TW  
EC-12TW



ACCUTEMP PRODUCTS, INC.  
8415 North Clinton Park Dr. · Fort Wayne, IN · 46825  
800 210-5907 Office · 260 493-0415 Fax ·  
[www.accutemp.net](http://www.accutemp.net)

PARTS LIST, SELF-GENERATING STEAM JACKETED COUNTER TILTING KETTLES,  
EC-6TW, EC-10TW, EC-12TW

**FIGURE 1**



00464R2  
1/4

PARTS LIST, SELF-GENERATING STEAM JACKETED COUNTER TILTING KETTLES,  
EC-6TW, EC-10TW, EC-12TW

**FIGURE 1**

<b><u>ITEM</u></b>	<b><u>PART NO.</u></b>	<b><u>DESCRIPTION</u></b>	<b><u>QUANTITY</u></b>	
			<b><u>EC-6TW</u></b>	<b><u>EC-10TW</u></b> <b><u>EC-12TW</u></b>
1.	4-LLP1	Liquid Level Probe	1	1
2.	3-AV01	Air Vent Assembly	1	1
3.	3-SRV9-1	Safety Relief Valve	1	1
4.	4-70EU	Ground Lug	1	1
5.	3402-1	Component Mounting Bracket	1	1
6.	4-22TB	Terminal Block	3	3
	4-22TB	Terminal Block, (220/380, 240/415)	4	4
7.	4-22ES	Terminal Block, End Section	1	1
**	4-NG41	Contactor (208, 240V)	2	2
	4-NG41	Contactor (380, 416, 480, 600V)	1	1
9.	3408-1	Micro Switch Bracket	1	1
10.	4-M605	Micro Switch	1	1
11.	9025-1	Square Head Set Screw, 3/8 -16 NC x 1/2	2	2
12.	3546-1	Actuating Collar	1	1
13.	8-6030	Trunnion Bronze Bearing	1	1
14.	3415-1	Trunnion Bearing Housing	2	2
15.	6604-1	Marine Lock Assembly	1	1
16.	4174-1	Temperature Controller	1	1
17.	4620-1	Mounting Plate	1	1
18.	3412-2	Boston Bronze Bearing	1	1
19.	3-110CB	Reducer, 3/8 NPT - 1/4 NPT	1	1

PARTS LIST, SELF-GENERATING STEAM JACKETED COUNTER TILTING KETTLES,  
EC-6TW, EC-10TW, EC-12TW

**FIGURE 1**

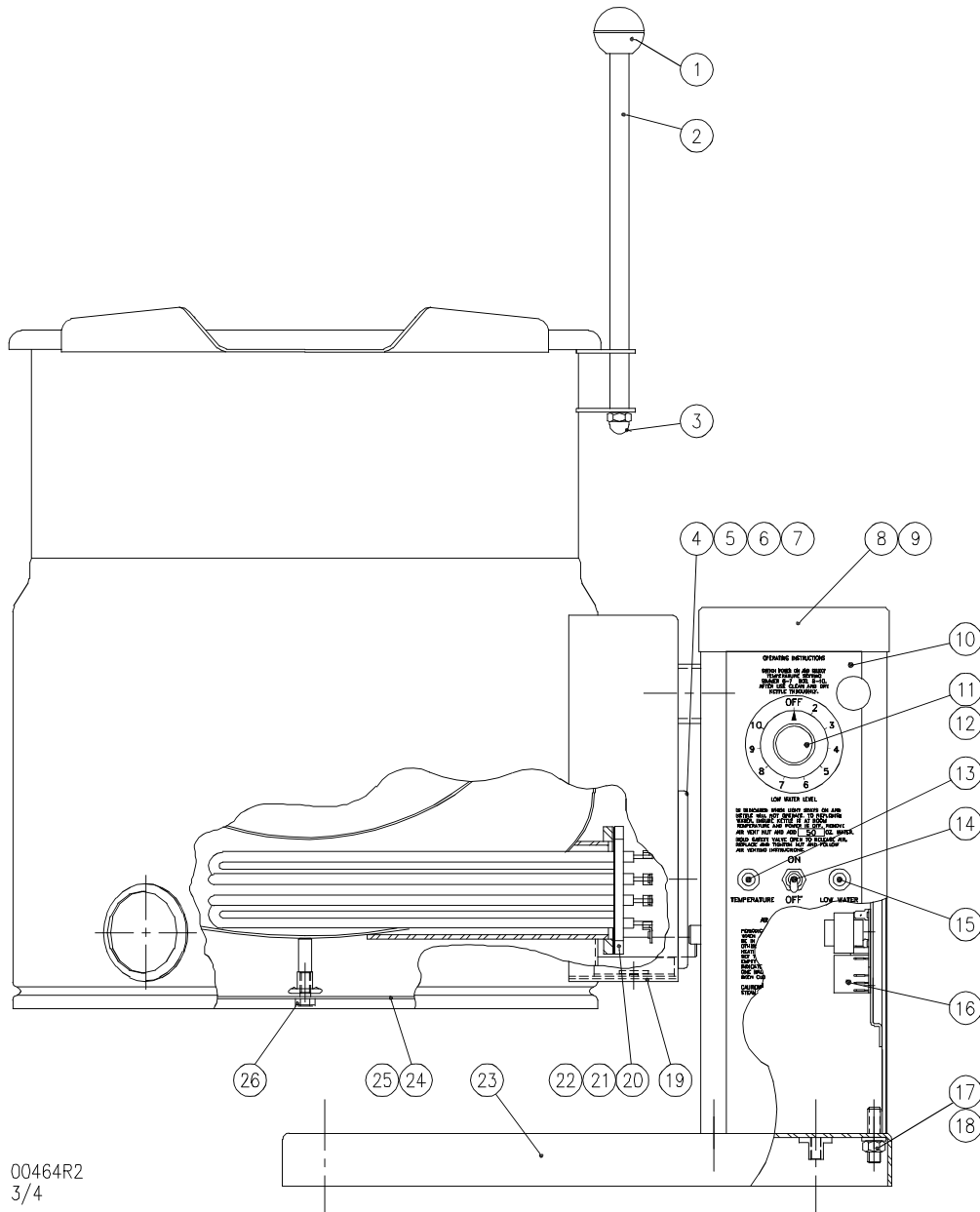
<u>ITEM</u>	<u>PART NO.</u>	<u>DESCRIPTION</u>	<u>QUANTITY</u>	
			<u>EC-6TW</u>	<u>EC-10TW</u> <u>EC-12TW</u>
20.	3-683B	Compression Fitting	1	1
21.	4309-1	Temperature Probe	1	1
22.	4967-1	Pressure Gauge	1	1
*	2-230R	"O" Ring	1	1
23.	3407-1	Pressure Gauge Plate	1	1
24.	9029-32	Hex Nut #10 - 32 NC Zinc	2	2
25.	F01X-10	Flat Washer #10 Zinc	2	2
26.	S01X-10	Split Lock Washer #10 Zinc	2	2
27.	3-664B	Compression Fitting	1	1
28.	3-684C	Compression Fitting	1	1
29.	8-3149	Copper Tubing		1
	8-3148	Copper Tubing	1	
*	30. 4204-8	Wire Harness - Thermostat	1	1
*	31. 4204-9	Wire Harness - Elements	1	1
*	32. M50S-51618-114	Hex Bolt, 5/16-18 x 1-1/4	4	4
*	33. F01C-516	Flat Washer, 5/16 x 1-1/2 OD	4	4
*	34. 5184-1	Relief Valve Extension	1	1

\* NOT SHOWN

\*\* SELECT AS REQUIRED

PARTS LIST, SELF-GENERATING STEAM JACKETED COUNTER TILTING KETTLES,  
EC-6TW, EC-10TW, EC-12TW

**FIGURE 2**



PARTS LIST, SELF-GENERATING STEAM JACKETED COUNTER TILTING KETTLES,  
EC-6TW, EC-10TW, EC-12TW

**FIGURE 2**

<u>ITEM</u>	<u>PART NO.</u>	<u>DESCRIPTION</u>	<u>QUANTITY</u>	
			<u>EC-6TW</u>	<u>EC-10TW</u> <u>EC-12TW</u>
1.	2-KB01	Handle Knob	1	1
2.	8-2020	Tilt Handle	1	1
3.	1-7850	Acorn Nut, 3/8" - 16 UNC	1	1
4.	6570-1	Element Access Cover Assembly	1	1
5.	4605-1	Gasket	1	1
6.	101X-14	Internal Tooth Lock Washer, 1/4"	1	1
7.	9029-1	Hex. Nut, 1/4" - 20 NC Zinc	1	1
*	4983-1	Yoke, Access Cover	1	1
8.	3745-1	Console Cover Gasket	1	1
9.	3397-1	Top Cover, Console	1	1
10.	6477-1	Decal		1
	7010-1	Decal	1	
11.	5517-1	Potentiometer Complete with Wires and Push On Terminals	1	1
12.	4-TD02	Knob	1	1
13.	4661-4	Temperature Pilot, Red	1	1
14.	9110-1	Power Switch	1	1
15.	4661-5	Low Water Pilot, Amber	1	1
16.	3974-2	Liquid Level Control	1	1
17.	9029-3	Hex Nut, 3/8 - 16 NC Zinc	5	5
18.	F01X-38	Flat Washer, 3/8" Zinc	5	5
19.	3400-1	Trunnion Box Bottom	1	

PARTS LIST, SELF-GENERATING STEAM JACKETED COUNTER TILTING KETTLES,  
EC-6TW, EC-10TW, EC-12TW

**FIGURE 2**

<u>ITEM</u>	<u>PART NO.</u>	<u>DESCRIPTION</u>	<u>QUANTITY</u>		
			<u>EC-6TW</u>	<u>EC-10TW</u>	<u>EC-12TW</u>
19.	3438-1	Trunnion Box Bottom		1	
	4922-1	Gasket	1		
	4922-2	Gasket		1	
	1-34S4	Screw, 10-32 x 1/2	2	2	
** 20.	7-5015	Element Assembly, 7.5 kW, 208V	1		
	7-5016	Element Assembly, 7.5 kW, 220/380V	1		
	7-5017	Element Assembly, 7.5 kW, 240/416V	1		
	7-5018	Element Assembly, 7.5 kW, 480V	1		
	2348-1	Element Assembly, 7.5 kW, 600V	1		
	7-5019	Element Assembly, 12 kW, 208V		1	
	7-5020	Element Assembly, 12 kW, 220/380V		1	
	7-5021	Element Assembly, 12 kW, 240/416V		1	
	7-5022	Element Assembly, 12 kW, 480V		1	
	9-3298-1	Element Assembly, 12 kW, 600V		1	
21.	8-3146	Element Gasket	1		
	8-3147	Element Gasket		1	
22.	M50S-51618-34	Hex. Screw 5/16-18 NC x 3/4, ST/ST	4	4	
23.	3395-1	Base Assembly	1	1	
24.	3403-1	Bottom Cover	1		
	3440-1	Bottom Cover		1	
25.	4618-1	Bottom Cover Gasket	1		
25.	4618-2	Bottom Cover Gasket		1	

PARTS LIST, SELF-GENERATING STEAM JACKETED COUNTER TILTING KETTLES,  
EC-6TW, EC-10TW, EC-12TW

**FIGURE 2**

<u>ITEM</u>	<u>PART NO.</u>	<u>DESCRIPTION</u>	<u>QUANTITY</u>	
			<u>EC-6TW</u>	<u>EC-10TW</u> <u>EC-12TW</u>
26.	M50X-51618-12	Hex. Screw, 5/16 - 18 NC x 1/2 Zinc	1	1
* 27.	1-33B3	Element Terminal Screw, 10 - 32 x 3/8	4	4
* 28.	3931-1	Faucet Bracket, (Optional)	1	1
* 29.	3404-1	Kettle Cover, (Optional)	1	
	3441-1	Kettle Cover, (Optional)		1
* ** 30.	4-T251	Transformer, 380/416V-120V, 50/60 Hz, 100VA	1	1
	4-T255	Transformer, 480V-120V, 60 Hz, 100VA	1	1
	4-T260	Transformer, 600V-120V, 60 Hz, 100VA	1	1
* ** 31.	9092-3	Fuse, 250V, 3A, (208 - 240V Units)	2	2
	9092-3	Fuse, 250V, 3A, (200/380V and 240/415V Units)	1	1
	9001-2	Fuse, 1/2 A, 600V, (380 - 600V Units)	2	2
* ** 32.	9068-1	Fuse Holder, (208 - 240V Units)	2	2
	9068-1	Fuse Holder, (220/380V and 240/415V Units)	1	1
	9002-1	Fuse Holder, (380 - 600V Units)	1	1

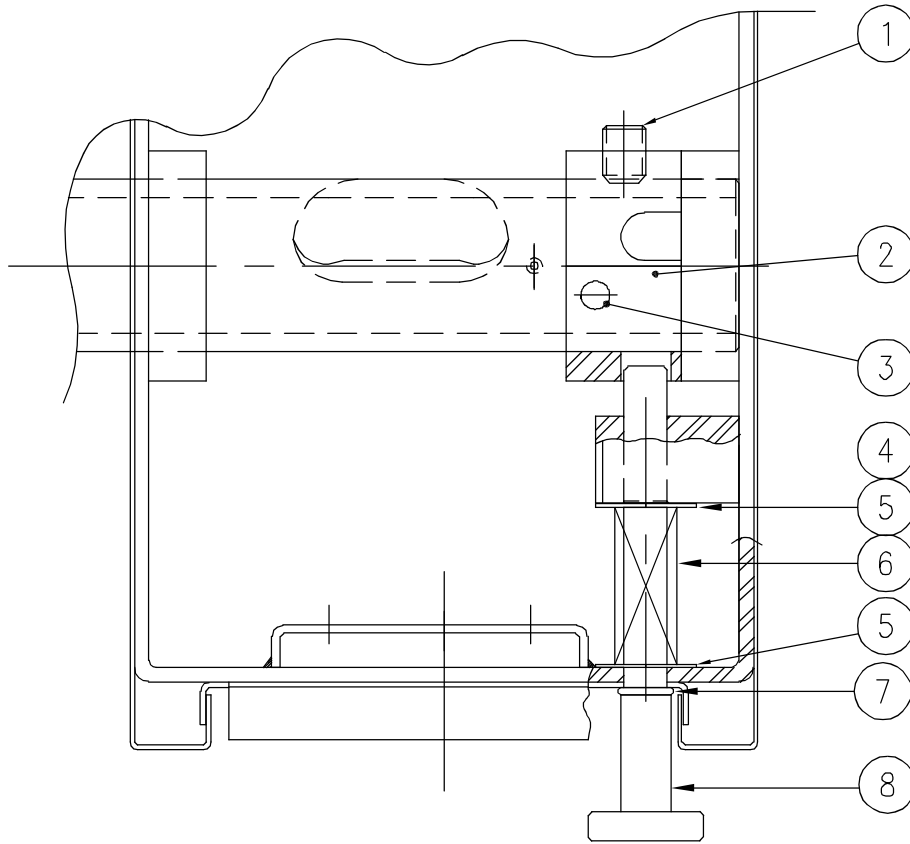
\* NOT SHOWN.

\*\* SELECT AS REQUIRED.



PARTS LIST, SELF-GENERATING STEAM JACKETED COUNTER TILTING KETTLES,  
EC-6TW, EC-10TW, EC-12TW

**FIGURE 3**



00465R0  
1/4

PARTS LIST, SELF-GENERATING STEAM JACKETED COUNTER TILTING KETTLES,  
EC-6TW, EC-10TW, EC-12TW

**FIGURE 3**

<b><u>ITEM</u></b>	<b><u>PART NO.</u></b>	<b><u>DESCRIPTION</u></b>	<b><u>QUANTITY</u></b>
1.	9061-5	Hex. Socket Set Screw, 3/8 -16 NC x 1/2	1
2.	7011-1	Cam Collar	1
3.	9064-23H	Spring Pin, 1/4 Diameter x 2 1/4" Long	1
4.	1-XR33	External Ring Spae-Naur #R1000-37	1
5.	1-W3S7	Plain Washer, 3/8 ID x 7/8 OD x T = 0.048	2
6.	4623-1	Spring	1
7.	2-011R	"O" Ring Seal, E-515-80-11, 5/16 I.D.	1
8.	4608-1	Locking Pin	1