



















## PARTS LIST, SELF-GENERATING STEAM KETTLES, MODELS: ACELT, ACEL, ACEP

**FIGURE 2**

<u>ITEM</u>	<u>PART NUMBER</u>	<u>DESCRIPTION</u>	<u>QUANTITY</u>
1.	8-2054	Hand Wheel	1
2.	1-72U4	Set Screw 3/8 - 16 x 1/2"	1
3.	6738-2	Tilt Shaft	1
4.	5393-1	Segment Gear & Worm Gear Kit (Includes Items 5 to 11)	
5.	1-52U4	Set Screw, 1/4 - 20 x 1/2	1
6.	2-T6U5	Tension Pin, 3/16 Diameter x 1-1/4" L	1
7.	1-99C0	Nut, 1/2 - 13	1
8.	1-W4C0	Lock Washer, 1/2"	1
9.	2-96C8	Bolt, 1/2 - 13 x 2"	1
10.	1-K8U8	Key Woodruff	1
11.	1-R315	Retaining Ring	1
12.	2-HN66	Jam Nut	2
13.	5327-1	Thrust Bearing	2
14.	1-79C0	Nut, 3/8 - 16	1
15.	2-72U7	Set Screw, 3/8 - 16 x 1 3/4"	1
16.	8-2085EE	Outbore Bearing complete with extension - used on spring assist covers only - specify model.	1
17.	9-3197	Stainless Steel Washer	1
18.	9-3198	Bolt	1
19.	8-2085E	Outbore Bearing	1
20.	4188-1	Ground ID Tag	1
21.	4-70EU	Ground Lug	1

PARTS LIST, SELF-GENERATING STEAM KETTLES, MODELS: ACELT, ACEL, ACEP

**FIGURE 2**

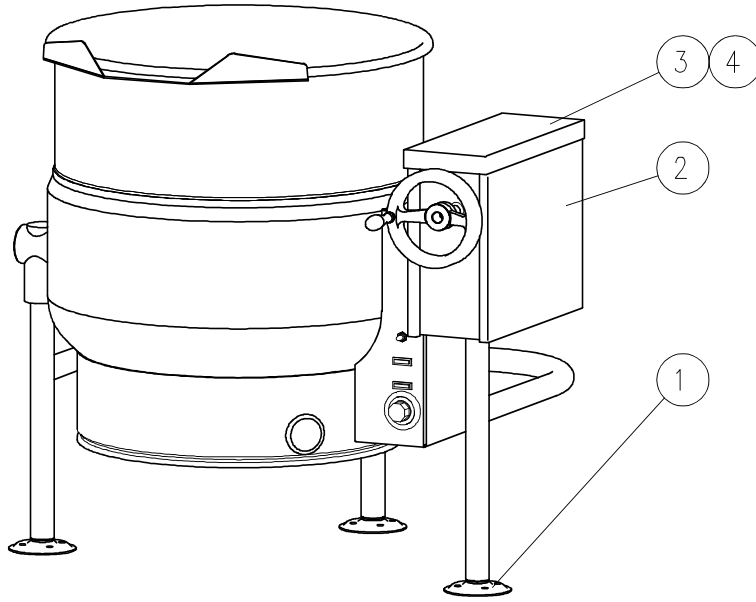
<b><u>ITEM</u></b>	<b><u>PART NUMBER</u></b>	<b><u>DESCRIPTION</u></b>	<b><u>QUANTITY</u></b>
22.	1-75C8	Bolt, 3/8-16 x 1"	4
23.	1-70C0	Lock Washer 3/8"	4
24.	8-2090	Block Bearing	1
25.	4653-1	Micro Switch Bracket	1
26.	4-M605	Micro Switch	1
27.	4359-1	Micro Switch Activator Bracket	1
28.	4214-1	Terminal Block Bracket	1
29.	5259-1	Spacer, 1/16" Thick	As Required
30.	4-33TB	Terminal Block	3
31.	4-33ES	End Section	1
*	4980-030	Rail	1
* 32.	1-34S4	Screw, Console Cover, 10 - 32 x 1/2"	1
33.	5608-1	Decal - Tilt	1
34.	5328-1	Washer, 3/4 ID x 1-1/4" OD	1
35.	5329-1	Cotter Pin S.S. 3/16" x 1" L.	1

\* NOT SHOWN

PARTS LIST, SELF-GENERATING STEAM KETTLES, MODELS: ACELT, ACEL, ACEP

**PARTS LIST**

**FIGURE 3**

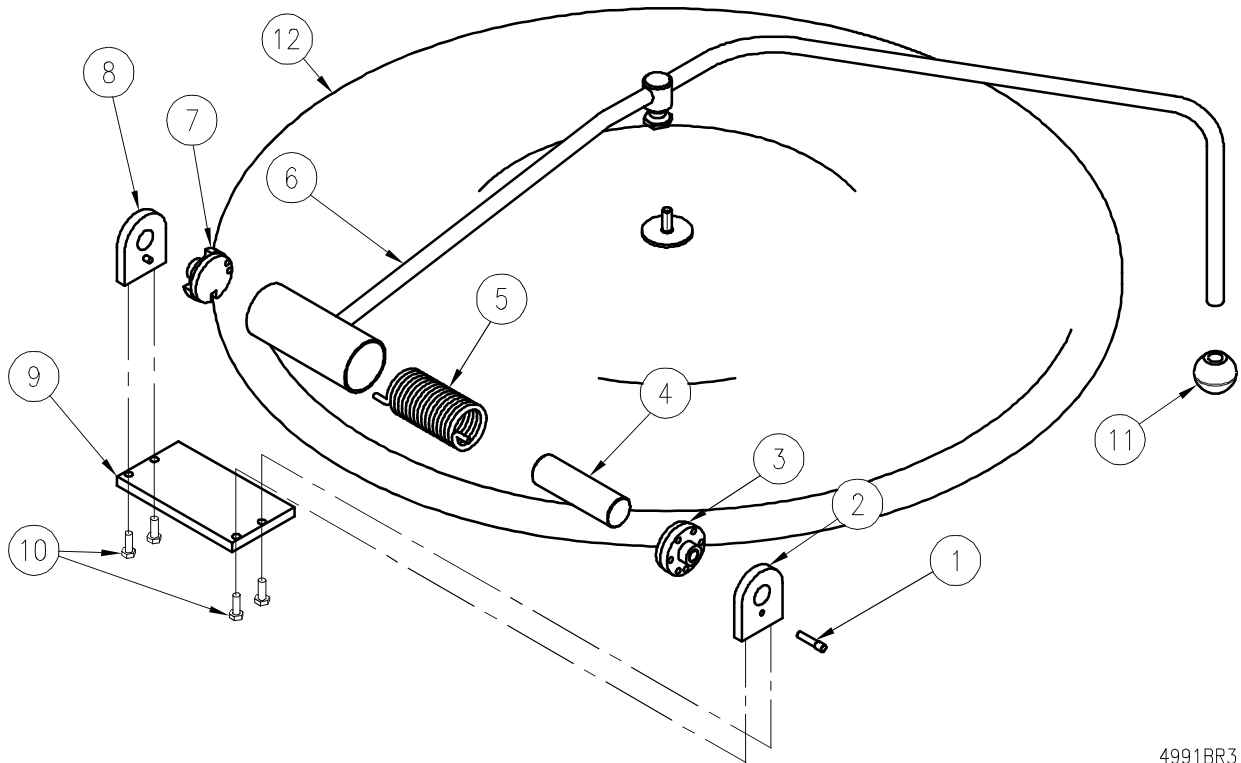


**ELT**

<b><u>ITEM</u></b>	<b><u>PART NUMBER</u></b>	<b><u>DESCRIPTION</u></b>	<b><u>QUANTITY</u></b>
1.	8-1308	Adjustable Flanged Foot	3
2.	2960-1	Console Box	1
3.	3534-1	Console Cover	1
4.	1-34S4	Screw, 10 - 32 x 1/2"	1

**FIGURE 4**

**SPRING ASSIST HINGE ASSEMBLY**



4991BR3

## PARTS LIST, SELF-GENERATING STEAM KETTLES, MODELS: ACELT, ACEL, ACEP

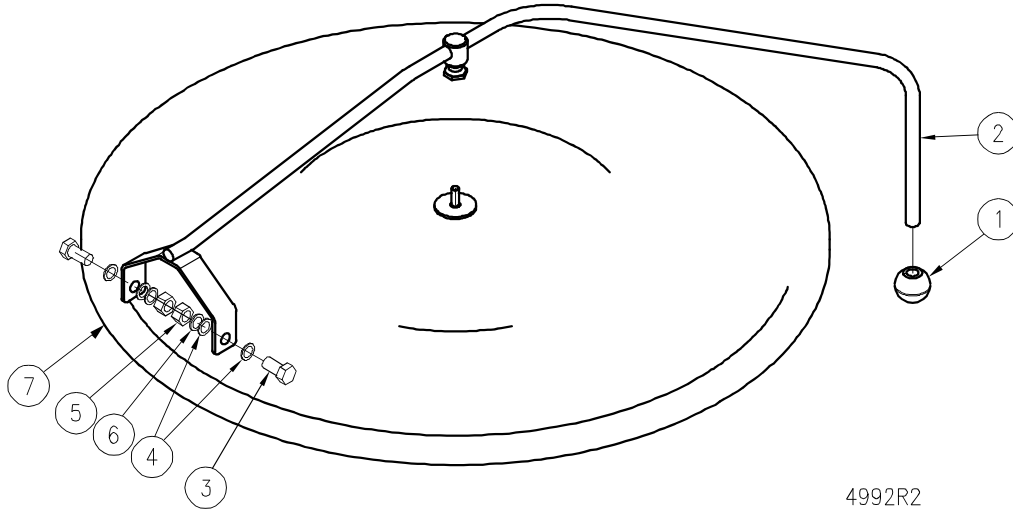
**FIGURE 4**

<u>ITEM</u>	<u>PART NUMBER</u>	<u>DESCRIPTION</u>	<u>QUANTITY</u>
	9-3185	HINGE ASSEMBLY	
1.	8-2029	Lock Pin	1
2.	8-2035L	End Lock Plate	1
3.	5428-1	Stationary Disc	1
4.	5430-1	Core	1
5.	8-2026	Spring	1
** 6.	8-2028	Handle Assembly, 20 Gallon Kettle	1
	8-2028-1	Handle Assembly, 30 Gallon Kettle	1
	8-2028-2	Handle Assembly, 40 Gallon Kettle	1
	8-2027	Handle Assembly, 60 Gallon Kettle	1
	8-2027-1	Handle Assembly, 80 Gallon Kettle	1
	8-2027-2	Handle Assembly, 100 Gallon Kettle	1
7.	5429-1	Rotary Disc	1
8.	8-2021	End Stop Plate	1
9.	1-56S6	Cap Screws, 1/4-20 X 3/4	4
10.	2-KB01	Knob	1
11.	4261-1	Mounting Plate Assembly - Tilting Models Only	1
** 12.	8-2003	Covers, 20 Gallon Kettle	1
	8-2004	Covers, 30 Gallon Kettle	1
	8-2005	Covers, 40 Gallon Kettle	1
	8-2006	Covers, 60 Gallon Kettle	1
	8-2007	Covers, 80 Gallon Kettle	1
	8-2008	Covers, 100 Gallon Kettle	1

\*\* SELECT AS REQUIRED.

**FIGURE 5**

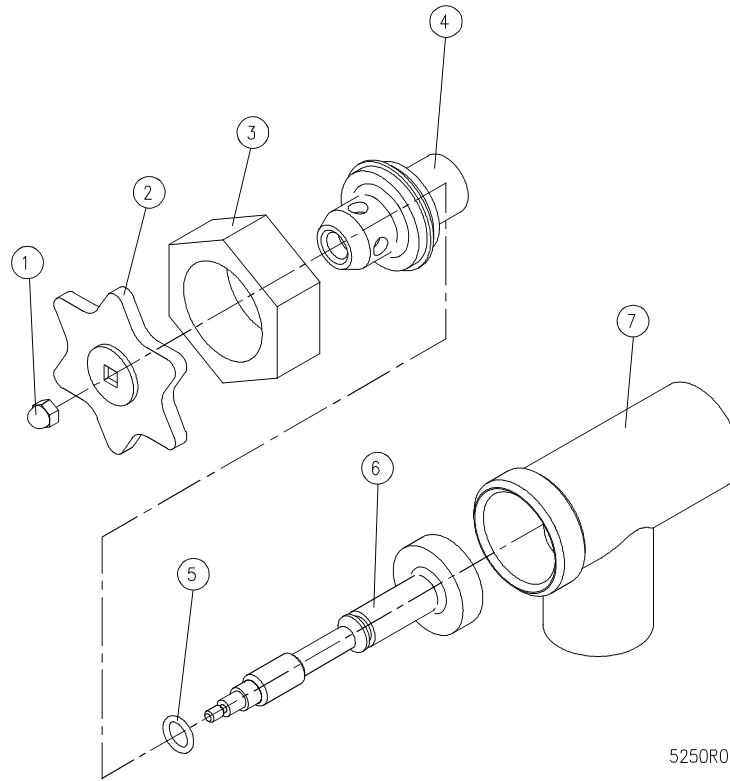
**HINGE ASSEMBLY**



<b><u>ITEM</u></b>	<b><u>PART NUMBER</u></b>	<b><u>DESCRIPTION</u></b>	<b><u>QUANTITY</u></b>	
1.	2-KB01	Knob	1	
**	2.	9-3231	Handle Assembly, 20 Gallon Kettle	1
		9-3231-1	Handle Assembly, 30 Gallon Kettle	1
		9-3231-2	Handle Assembly, 40 Gallon Kettle	1
3.	1-85S8	Bolt	2	
4.	1-W0V6	Fibre Washer	4	
5.	1-89S0	Nut	2	
6.	S05N-12	Lock Washer, 1/2"	1	
7.	8-2003	Cover, 20 Gallon Kettle	1	
	8-2004	Cover, 30 Gallon Kettle	1	
	8-2005	Cover, 40 Gallon Kettle	1	

\* \* SELECT AS REQUIRED.

**FIGURE 6**



**DRAW-OFF VALVE**

<b><u>ITEM</u></b>	<b><u>PART NUMBER</u></b>	<b><u>DESCRIPTION</u></b>	<b><u>QUANTITY</u></b>
	3-D015	1 - 1/2" DRAW-OFF VALVE ASSEMBLY	
1.	9031-3	Acorn Nut 10-24 UNC	1
2.	4115-1	Handle, Stainless Steel	1
3.	3-DV13	Gland Nut	1
4.	3-DV14	Bonnet	1
5.	3-DV16	"O" Ring	1
6.	3-DV15RV	Stem Assembly	1
7.	3-DV17	Valve Body	1

PARTS LIST, SELF-GENERATING STEAM KETTLES, MODELS: ACELT, ACEL, ACEP

<u>ITEM</u>	<u>PART NUMBER</u>	<u>DESCRIPTION</u>	<u>QUANTITY</u>
	2-D020	2" DRAW-OFF VALVE ASSEMBLY	
1.	9031-3	Acorn Nut 10-24 UNC	1
2.	4115-1	Handle, Stainless Steel	1
3.	3-DV23	Gland Nut	1
4.	3-DV24	Bonnet	1
5.	3-DV26	"O" Ring	1
6.	3-DV25RV	Stem Assembly	1
7.	3-DV27	Valve Body	1

<u>ITEM</u>	<u>PART NUMBER</u>	<u>DESCRIPTION</u>	<u>QUANTITY</u>
	3-D030	3" DRAW-OFF VALVE ASSEMBLY	
1.	3-DV31	Acorn Nut, 7/16-14 UNC	1
2.	3-DV32	Handle, Stainless Steel	1
3.	3-DV33	Gland Nut	1
4.	3-DV34	Bonnet	1
5.	3-DV36	"O" Ring	1
6.	3-DV35RV	Stem Assembly	1
7.	3-DV37	Valve Body	1



**SPRING ASSIST COVER ASSEMBLY FOR FIELD INSTALLATION ON ELT MODELS**

<b><u>PART NUMBER</u></b>	<b><u>MODEL</u></b>
4225-1	ELT-20
4225-2	ELT-30
4225-3	ELT-40
4225-4	ELT-60
4225-5	ELT-80
4225-6	ELT-100