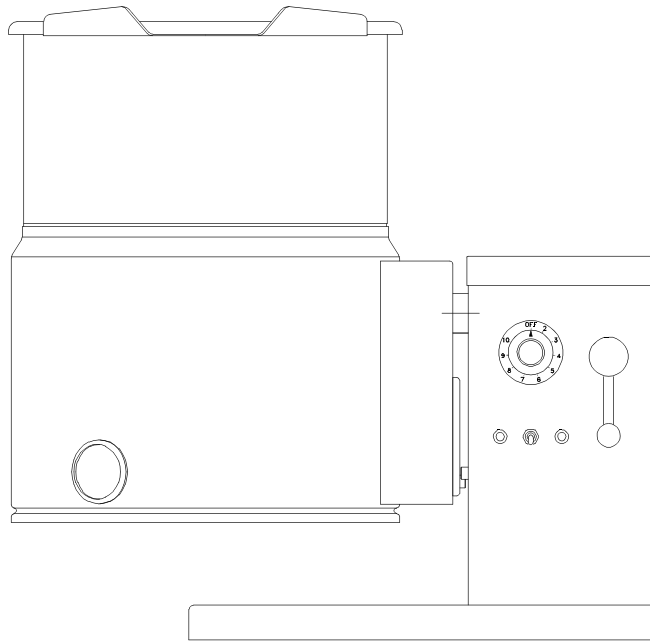
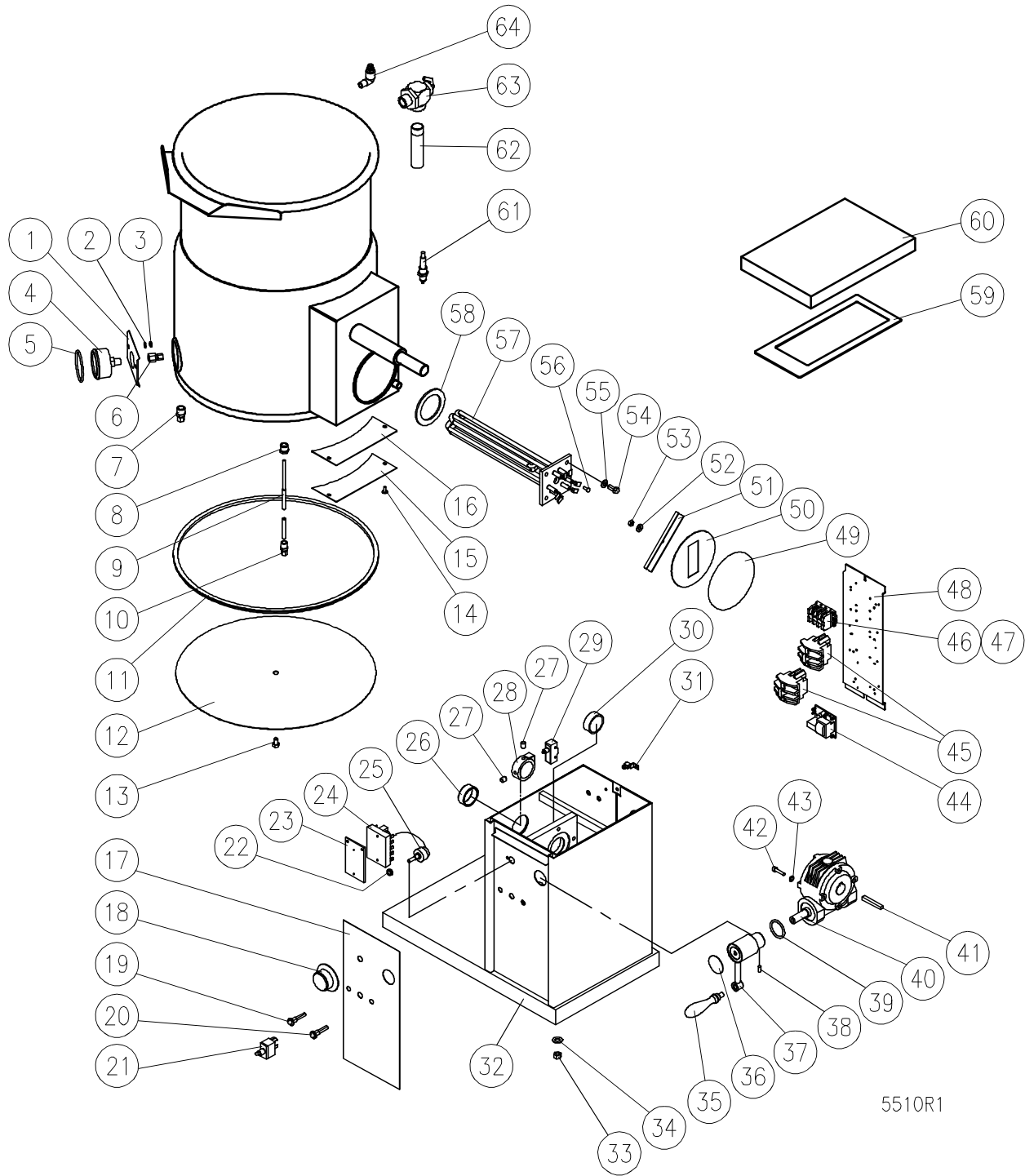


PARTS LIST
SELF-GENERATING STEAM JACKETED COUNTER TILTING KETTLES
MODELS: ACECT-6
ACECT-10
ACECT-12



ACCUTEMP PRODUCTS, INC.
8415 North Clinton Park Dr. · Fort Wayne, IN · 46825
800 210-5907 Office · 260 493-0415 Fax ·
www.accutemp.net

PARTS LIST, SELF-GENERATING STEAM JACKETED COUNTER TILTING KETTLES,
 MODELS: ACECT-6, ACECT-10, ACECT-12



5510R1

PARTS LIST, SELF-GENERATING STEAM JACKETED COUNTER TILTING KETTLES,
 MODELS: ACECT-6, ACECT-10, ACECT-12

<u>ITEM</u>	<u>PART NO.</u>	<u>DESCRIPTION</u>	<u>ACECT-6</u>	<u>ACECT-10</u> <u>ACECT-12</u>
1	3407-1	Pressure Gauge Plate	1	1
2	F0IX-10	Washer, #10	2	2
3	9029-32	Hex Nut, 10-32	2	2
4	4967-1	Pressure Gauge	1	1
5	2-230R	"O" Ring	1	1
6	3-664B	Connector - Female	1	1
7	3-684C	Connector - Male	1	1
8	3-110CB	Reducer Bushing, 3/8 x 1/4	1	1
9	4309-1	Temperature Probe	1	1
10	3-683B	Connector - Male	1	1
11	4618-1	Bottom Cover Gasket	1	
	4618-2	Bottom Cover Gasket		1
12	3403-1	Bottom Cover	1	
	3440-1	Bottom Cover		1
13	M50S51618-12	Hex Screw, 5/16 - 18 x 1/2	1	1
14	M33S1032-12	Machine Screw, 10 - 32 x 1/2	2	2
15	3400-1	Trunnion Box Cover	1	
	3438-1	Trunnion Box Cover		1
16	4922-1	Trunnion Box Gasket	1	
	4922-2	Trunnion Box Gasket		1
17	1364-1	Console Decal	1	
	1354-1	Console Decal		1
18	4-TD02	Dial	1	1
19	4661-4	Temperature Pilot - Red	1	1
20	4661-5	Low Water Pilot - Amber	1	1

PARTS LIST, SELF-GENERATING STEAM JACKETED COUNTER TILTING KETTLES,
 MODELS: ACECT-6, ACECT-10, ACECT-12

<u>ITEM</u>	<u>PART NO.</u>	<u>DESCRIPTION</u>	<u>ACECT-6</u>	<u>ACECT-10</u> <u>ACECT-12</u>
21	9110-1	Power Switch	1	1
22	9109-1	Rotary Shaft Seal	1	1
23	4620-1	Mounting Plate	1	1
24	4174-1	Temperature Control	1	1
25	5517-1	Potentiometer complete with Wires and Hardware	1	1
26	5333-1	Bearing, Left Hand	1	1
27	9061-5	Set Screw, 3/8 - 16 x 1/2	2	2
28	3546-1	Actuator	1	1
29	4-M605	Interlock Switch	1	1
30	5333-3	Bearing, Right Hand	1	1
31	4-70EU	Ground Lug	1	1
	4188-1	Earth I.D. Tag	1	1
32	1356-1	Base	1	1
33	9029-3	Hex Nut, 3/8 - 16 NC	6	6
34	F0IX-38	Washer, 3/8"	6	6
35	8-2054-1	Tilt Handle	1	1
36	5341-1	Directional Label	1	1
37	6745-1	Tilt Arm	1	1
38	9061-8	Set Screw, 1/4 - 28 x 1/4	1	1
39	5335-1	"O" Ring	1	1
40	6743-1	Gear Box	1	1
41	5337-1	Key	1	1
42	5338-1	Socket Head Screw, M6 x 2.5 mm	4	4
43	9122-1	Washer, M6	4	4

PARTS LIST, SELF-GENERATING STEAM JACKETED COUNTER TILTING KETTLES,
 MODELS: ACECT-6, ACECT-10, ACECT-12

<u>ITEM</u>	<u>PART NO.</u>	<u>DESCRIPTION</u>	<u>ACECT-6</u>	<u>ACECT-10</u> <u>ACECT-12</u>
	44	3974-2	Liquid Level Control	1 1
**	45	4-NG41	Contactora, 208/240V	2 2
		4-NG41	Contactora, 380, 415, 480, 600V	1 1
	46	4-22TB	Terminal Block	3 3
	47	4-22ES	End Section	1 1
	48	9-3237	Component Mounting Plate	1 1
	49	6570-1	Element Access Cover	1 1
	50	4605-1	Element Access Cover Gasket	1 1
	51	4983-1	Element Access Brace	1 1
	52	I0IX-14	Internal Tooth Washer, 1/4"	1 1
	53	9029-1	Hex Nut, 1/4 - 20	1 1
	54	M50S51618-34	Hex Screw, 5/16 - 18 x 3/4	4 4
	55	S0IS-516	Lock Washer, 5/16	4 4
	56	M93BRC1032-38	Screw, 10 -32 x 3/8 Brass NI Plated	6 6
**	57	7-5015	Element Assembly, 208V, 7.5 kW	1
		7-5017	Element Assembly, 240/416V, 7.5 kW	1
		7-5016	Element Assembly, 220/380V, 7.5 kW	1
		7-5018	Element Assembly, 480V, 7.5 kW	1
		2348-1	Element Assembly, 600V, 7.5 kW	1
		7-5019	Element Assembly, 208V, 12 kW	1
		7-5020	Element Assembly, 220/380V, 12 kW	1
		7-5021	Element Assembly, 240/416V, 12 kW	1

PARTS LIST, SELF-GENERATING STEAM JACKETED COUNTER TILTING KETTLES,
 MODELS: ACECT-6, ACECT-10, ACECT-12

<u>ITEM</u>	<u>PART NO.</u>	<u>DESCRIPTION</u>	<u>ACECT-6</u>	<u>ACECT-10</u> <u>ACECT-12</u>
**	57	7-5022		1
		9-3298-1		1
	58	8-3146	1	
		8-3147		1
	59	3745-2	1	1
	60	6746-1	1	1
	61	4-LLP1	1	1
	62	5184-1	1	1
	63	3-SRV9-1	1	1
	64	3-AV01	1	1
*	65	3931-1	1	1
*	66	4326-1	1	1
*	67	4327-1	1	1
*	68	3441-1		1
*	69	8-3148	1	
*	70	8-3149		1
*	71	3404-1	1	
* **	72	4-T251	1	1
		Transformer, 380/416-120V, 50/60 Hz, 100VA		
		4-T255	1	1
		Transformer, 480-120V, 60 Hz, 100VA		
		4-T260	1	1
		Transformer, 600V-120V, 60 Hz, 100VA		
*	73	9001-2	2	2
		Fuse, 1/2 A, 600V (380, 416, 480, 600V)		
		9092-3	2	2
		Fuse, 3A, 250V (208 - 240V Units)		

PARTS LIST, SELF-GENERATING STEAM JACKETED COUNTER TILTING KETTLES,
 MODELS: ACECT-6, ACECT-10, ACECT-12

<u>ITEM</u>	<u>PART NO.</u>	<u>DESCRIPTION</u>	<u>ACECT-6</u>	<u>ACECT-10</u> <u>ACECT-12</u>
* 73	9092-3	Fuse, 3A, 250V (220/380V, 240/415V)	1	1
74	9002-1	Fuse Holder, (380, 416, 480, 600V)	2	2
	9068-1	Fuse Holder, (208-240V Units)	2	2
	9068-1	Fuse Holder, (220/380V, 240/415V)	1	1
* ** 75	4204-8	Wire Harness (LWC, Contactors)	1	1
	4204-9	Wire Harness (Elements, Thermostat)	1	1

* NOT SHOWN.

** SELECT AS REQUIRED.