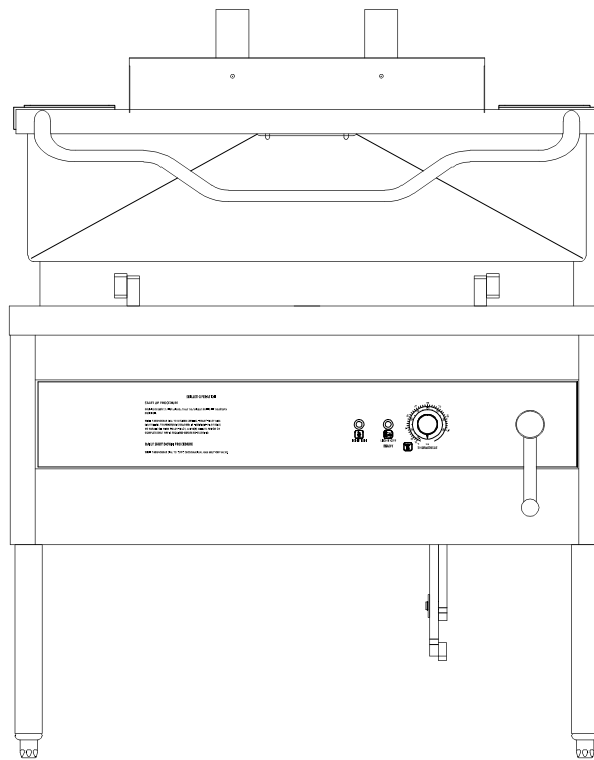


# INSTALLATION AND OPERATION MANUAL


**GAS SKILLETTS**  
**MODELS: ACGS-30**  
**ACGS-40**





**ACCUTEMP PRODUCTS, INC**  
8415 North Clinton Park Dr. Fort Wayne, IN 46825  
800 210-5907 OFFICE · 260 493-0415 · [accutemp.net](http://accutemp.net)

**IMPORTANT NOTES FOR INSTALLATION AND OPERATION**

It is recommended that this manual be read thoroughly and that all instructions be followed carefully. This manual should be retained for future reference.

	<p><b>This is the safety alert symbol. It is used to alert you to potential personal injury hazards. Obey all safety messages that follow this symbol to avoid possible injury or death.</b></p>
---	--

	<p><b>FOR YOUR SAFETY: Do not store or use gasoline or other flammable vapors or liquids in the vicinity of this or any other appliance.</b></p>
---	--

	<p><b>WARNING: Improper installation, operation, adjustment, alteration, service or maintenance can cause property damage, injury or death. Read the installation, operating and maintenance instructions thoroughly before installing, operating or servicing this equipment.</b></p>
---	--

**PURCHASER: Instructions to be followed in the event that the operator of this appliance smells gas must be posted in a prominent location. This information shall be obtained by consulting the local gas supplier.**

**Keep the appliance area free and clear from combustibles.**

**Do not obstruct the flow of combustion and ventilation air.**

**Adequate clearances must be maintained for servicing and proper operation.**

**Contact the factory, the factory representative or a local service company to perform maintenance and repairs should the appliance malfunction. Refer to warranty terms.**

## TABLE OF CONTENTS

<b>DESCRIPTION</b>	<b>PAGE</b>
Important Notes for Installation and Operation .....	2
1.0 Service Connections .....	4
2.0 Installation Instructions .....	5
3.0 Operation Instructions .....	8
4.0 Periodic Maintenance .....	11
5.0 Cooking Guidelines .....	13
6.0 Troubleshooting .....	18

































