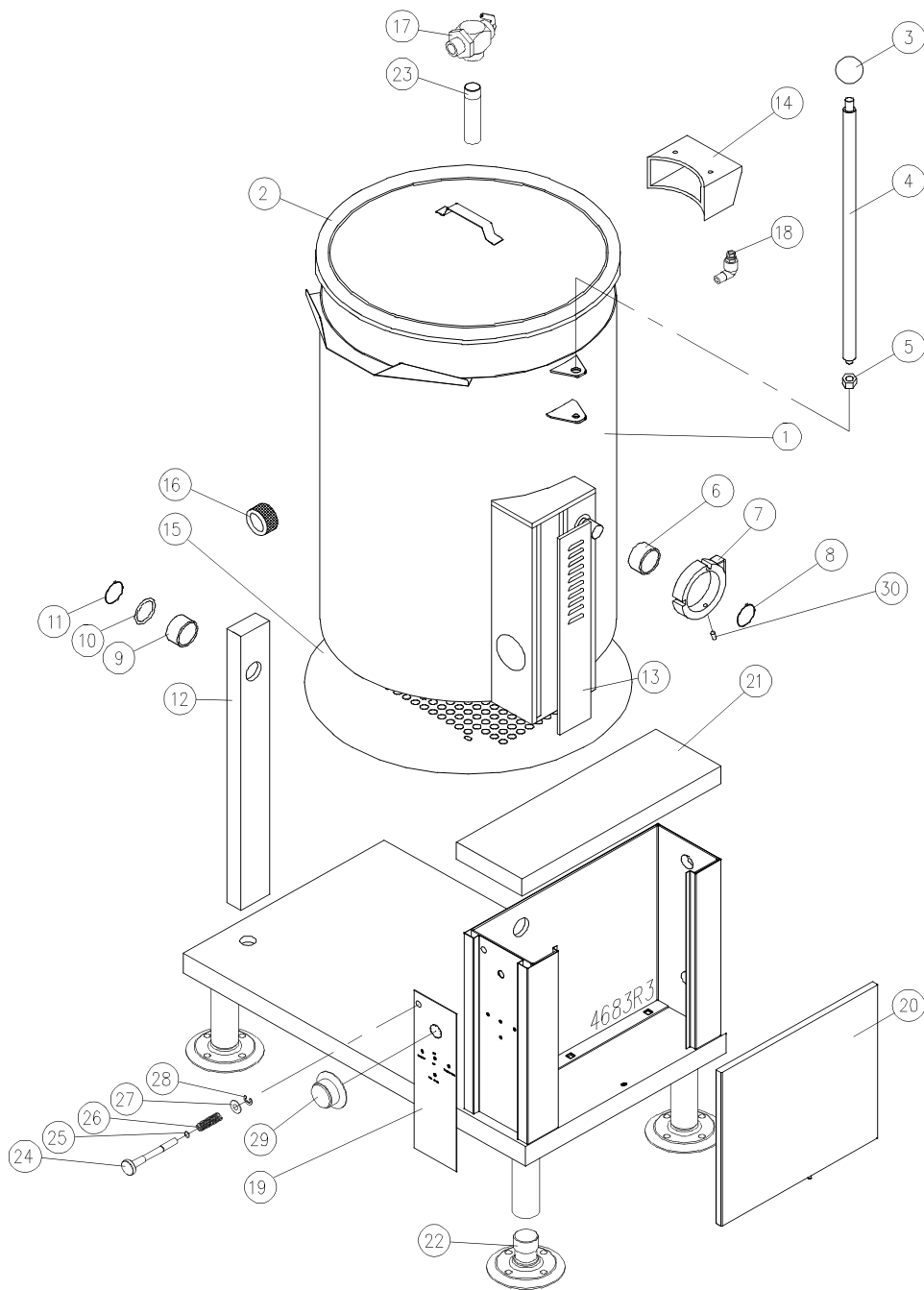


**PARTS LIST**  
**GAS SELF-CONTAINED KETTLE**  
**MODEL \$ &GC-12**



PARTS LIST, GAS SELF-CONTAINED KETTLE, MODEL ACGC-12

**FIGURE 1**



PARTS LIST, GAS SELF-CONTAINED KETTLE, MODEL ACGC-12

**FIGURE 1**

<u>ITEM</u>	<u>PART NUMBER</u>	<u>DESCRIPTION</u>	<u>QUANTITY</u>	
1	1277-1	Kettle Assembly	1	
2	6648-1	Lid Assembly	1	
3	2-KB01	Knob	1	
4	5280-1	Handle	1	
5	9031-9	Acorn Nut, 1/2 - 13 NC	1	
6	5017-1	Bearing	1	
7	5519-1	Actuator Collar	1	
8	9047-2	Retaining Ring	1	
9	5008-1	Bearing	1	
10	5014-1	Washer	1	
11	9047-1	Retaining Ring	1	
12	6657-1	Leg Post	1	
13	4086-1	Trunnion Box Side Panel	1	
14	6994-1	Flue Assembly	1	
15	0665-1	Bottom Cover	1	
16	6664-1	Sight Glass Assembly	1	
17	3-SRV9-1	Relief Valve, 50 PSI	1	
18	3-AV01	Air Vent Assembly	1	
**	19	6660-2	Operating Label, English	1
		6800-2	Operating Label, French	1
	20	5025-1	Side Panel	1
	21	4687-1	Console Cover	1
	22	8-1308	Flanged Foot	4
	23	5184-1	Down Tube	1

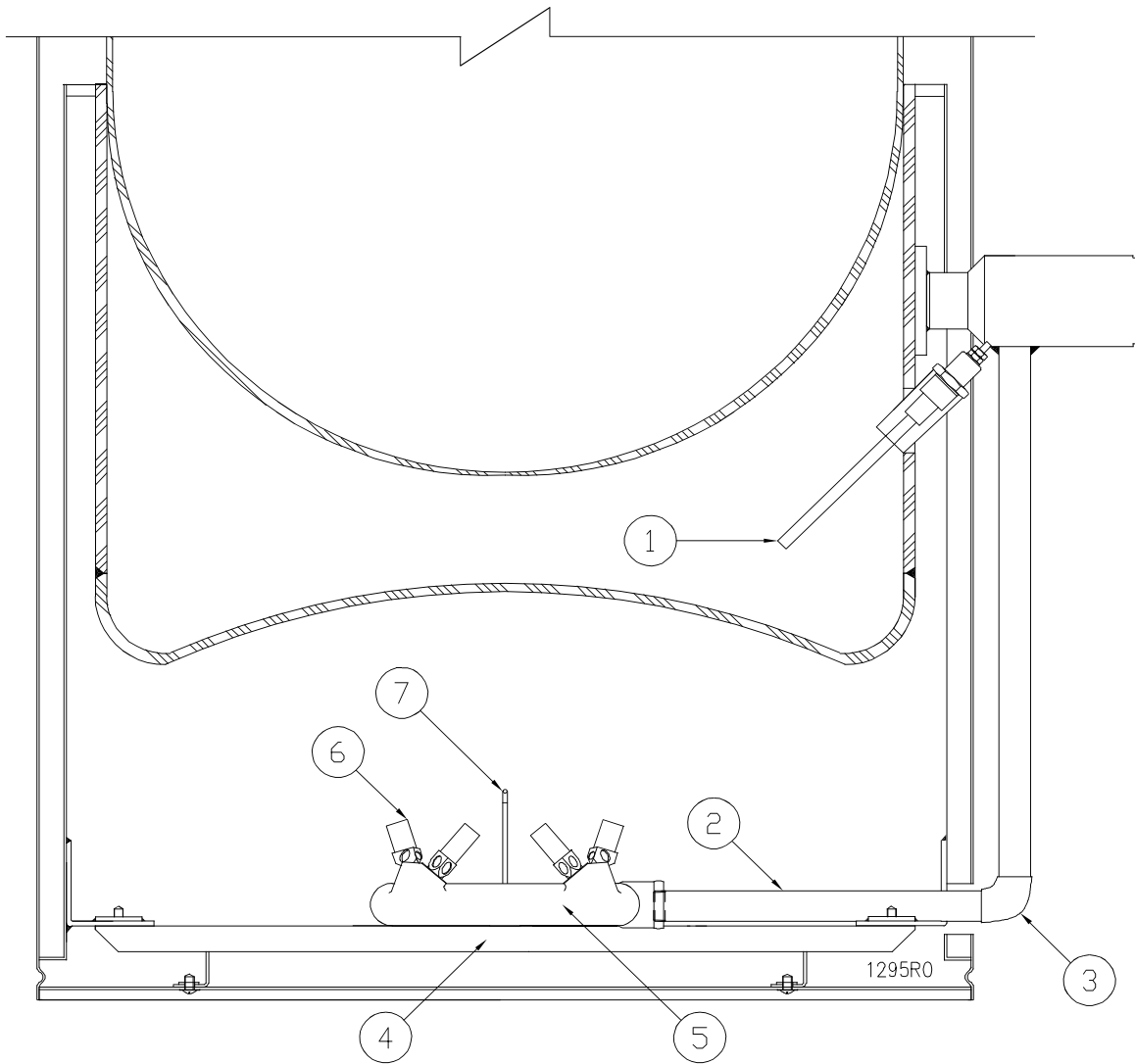
PARTS LIST, GAS SELF-CONTAINED KETTLE, MODEL ACGC-12

<u>ITEM</u>	<u>PART NUMBER</u>	<u>DESCRIPTION</u>	<u>QUANTITY</u>
24	4608-1	Lock Pin	1
25	2-011R	"O" Ring	1
26	4623-1	Spring	1
27	1-W3S7	Washer	2
28	1-XR33	External Ring Clip	1
29	4-TD02	Thermostat Dial	1
30	S08P-1420-58	Hex Set Screw	1

\*\* SELECT AS REQUIRED.

PARTS LIST, GAS SELF-CONTAINED KETTLE, MODEL ACGC-12

**FIGURE 2**



PARTS LIST, GAS SELF-CONTAINED KETTLE, MODEL ACGC-12

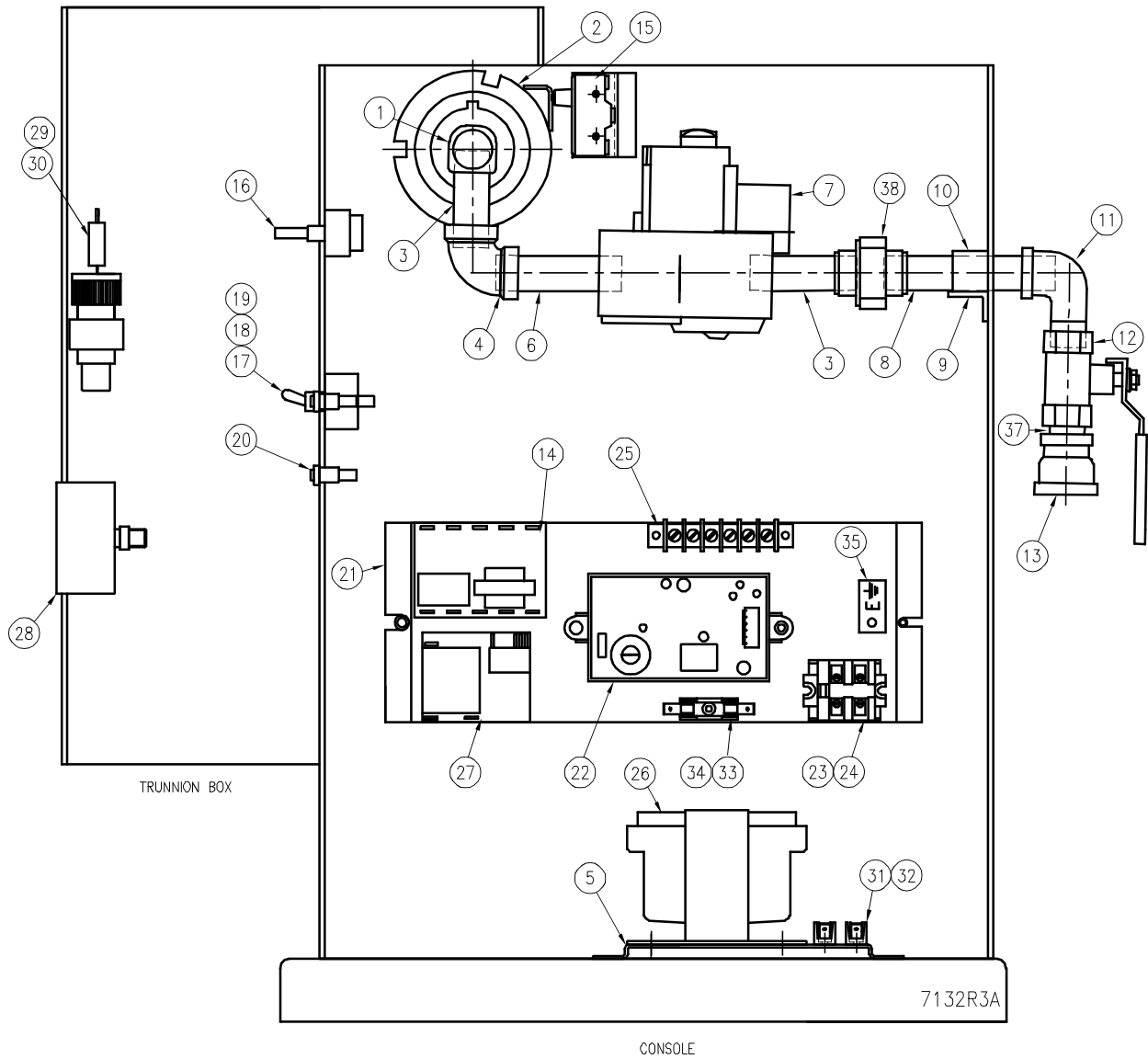
**FIGURE 2**

<u>ITEM</u>	<u>PART NUMBER</u>	<u>DESCRIPTION</u>	<u>QUANTITY</u>	
1	3738-3	Low Water Probe	1	
2	5023-1	Pipe, 3/8" x 7-1/2" Length	1	
3	9011-2	Elbow, 3/8"	1	
4	6995-1	Burner Support Channel	1	
5	4950-1	Burner	1	
**	6	4951-1	Orifice Jet, #57 Natural Gas	10
		4951-2	Orifice Jet, .70 mm LP Gas	10
7	6692-1	Electrode Assembly	1	

\*\* SELECT AS REQUIRED

PARTS LIST, GAS SELF-CONTAINED KETTLE, MODEL ACGC-12

**FIGURE 3**



PARTS LIST, GAS SELF-CONTAINED KETTLE, MODEL ACGC-12

**FIGURE 3**

<u>ITEM</u>	<u>PART NUMBER</u>	<u>DESCRIPTION</u>	<u>QUANTITY</u>	
1	9196-1	1/2" Gas Swivel Joint	1	
2	5519-1	Tilt Lock, Actuator Collar	1	
3	9009-020	Nipple, 1/2" x 2"	2	
4	9011-3	Elbow, 1/2"	1	
5	4945-1	Transformer Bracket	1	
6	9009-030	Nipple, 1/2" x 3"	2	
**	7	5188-1	Gas Control Valve (Natural)	1
		5188-2	Gas Control Valve (L.P)	1
8	9009-040	Nipple, 1/2" x 4"	1	
9	5015-1	Gas Line Support	1	
10	5016-1	3/8 Pipe Strap	1	
11	9012-3	90° Street Elbow, 1/2"	1	
12	9-2007	Ball Valve, 1/2"	1	
13	9034-1	Reducing Coupling, 1/2" - 3/4"	1	
14	4174-2	Temperature Control, 120V	1	
*	4309-1	Temperature Probe	1	
15	4-M605	Micro-Switch	1	
16	5517-1	Potentiometer	1	
*	9109-2	Rotary Shaft Seal	1	
17	9110-1	Power Switch	1	
18	4661-2	Pilot Light, Temperature, Red, 125V	1	
19	4661-7	Pilot Light, Ignition, Green, 125V	1	
20	4661-3	Pilot Light, Low Water, Amber, 125V	1	
21	7131-1	Component Mounting Bracket	1	



PARTS LIST, GAS SELF-CONTAINED KETTLE, MODEL ACGC-12

<u>ITEM</u>	<u>PART NUMBER</u>	<u>DESCRIPTION</u>	<u>QUANTITY</u>	
22	5373-1	Ignition Module (DSI System)	1	
23	4-22TB	Terminal Block Section	2	
24	4-22ES	Terminal Block End	1	
25	9-3332	Terminal Strip	1	
**	26	4-T253	Transformer, 220/240-120, 50/60 Hz, 200VA	1
		4-T256	Transformer, 208-120, 60 Hz, 200VA	1
27	3974-1	Water Level Control	1	
28	4967-1	Pressure Gauge	1	
29	116-6490	Pressure Switch	1	
30	6662-1	Pressure Switch Bracket	1	
**	31	9068-1	Fuse Holder, (208 - 240V Units)	2
*	32	9092-1	Fuse, 250V, 1 Amp. (208 - 240V Units)	2
*	33	9068-1	Fuse Holder (120V Units Only)	1
**	34	9092-3	Fuse, 250V, 3 Amp. (120V Units Only)	1
	35	4188-1	Earth Ground I.D. Tag	1
*	36	4127-3	Cord Set, (120V Units Only)	1
	37	9009-000	Close Nipple, 1/2"	1
	38	9015-3	Union, 1/2"	1

\* NOT SHOWN.

\*\* SELECT AS REQUIRED.