

WORLD'S BEST
ACCU-STEAM™
GRIDDLE

PARTS MANUAL
ACCU-STEAM ELECTRIC G2 GRIDDLE
MODELS

EGF24A/EGF36A/EGF48A/EGF24B/EGF36B/EGF48B



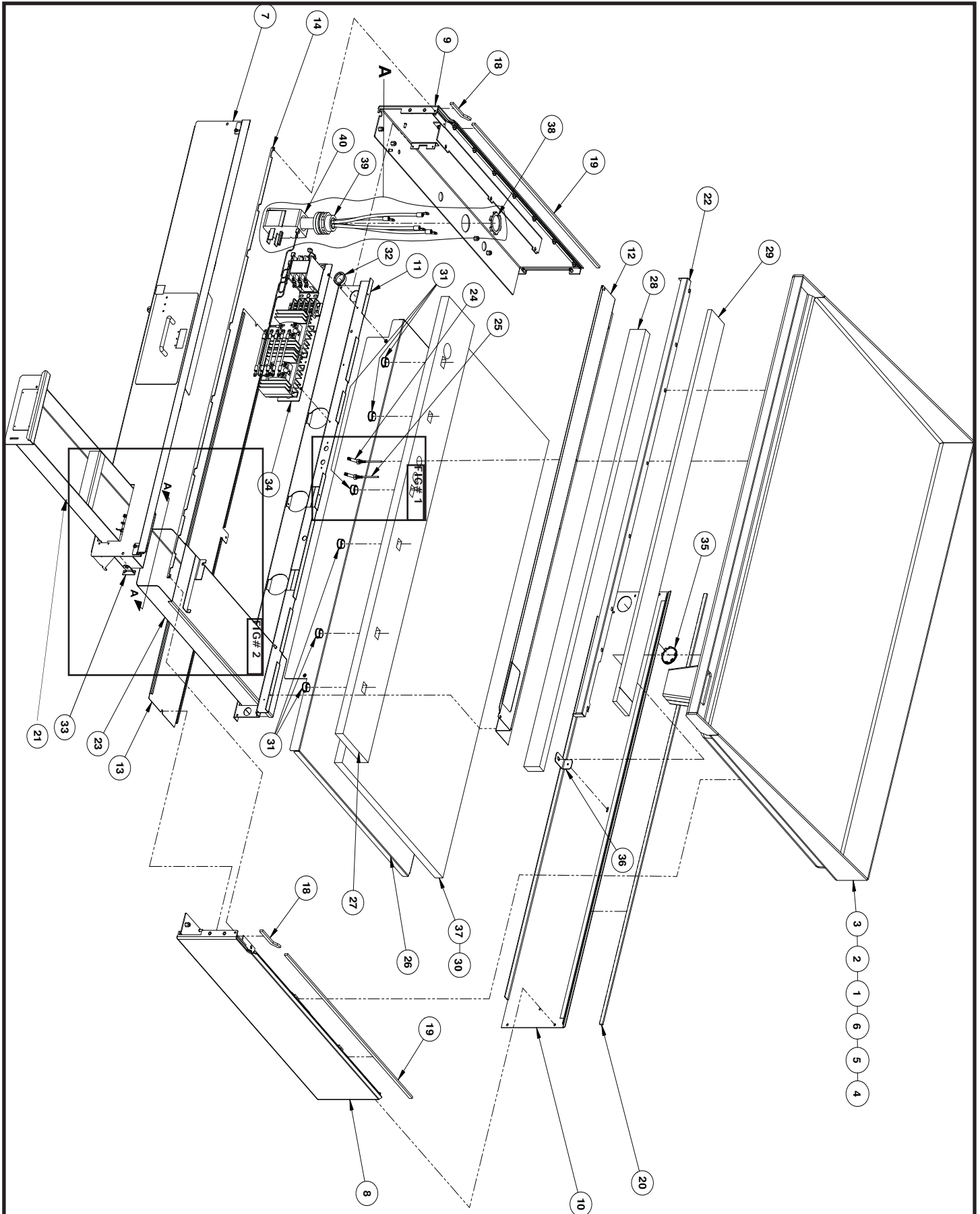


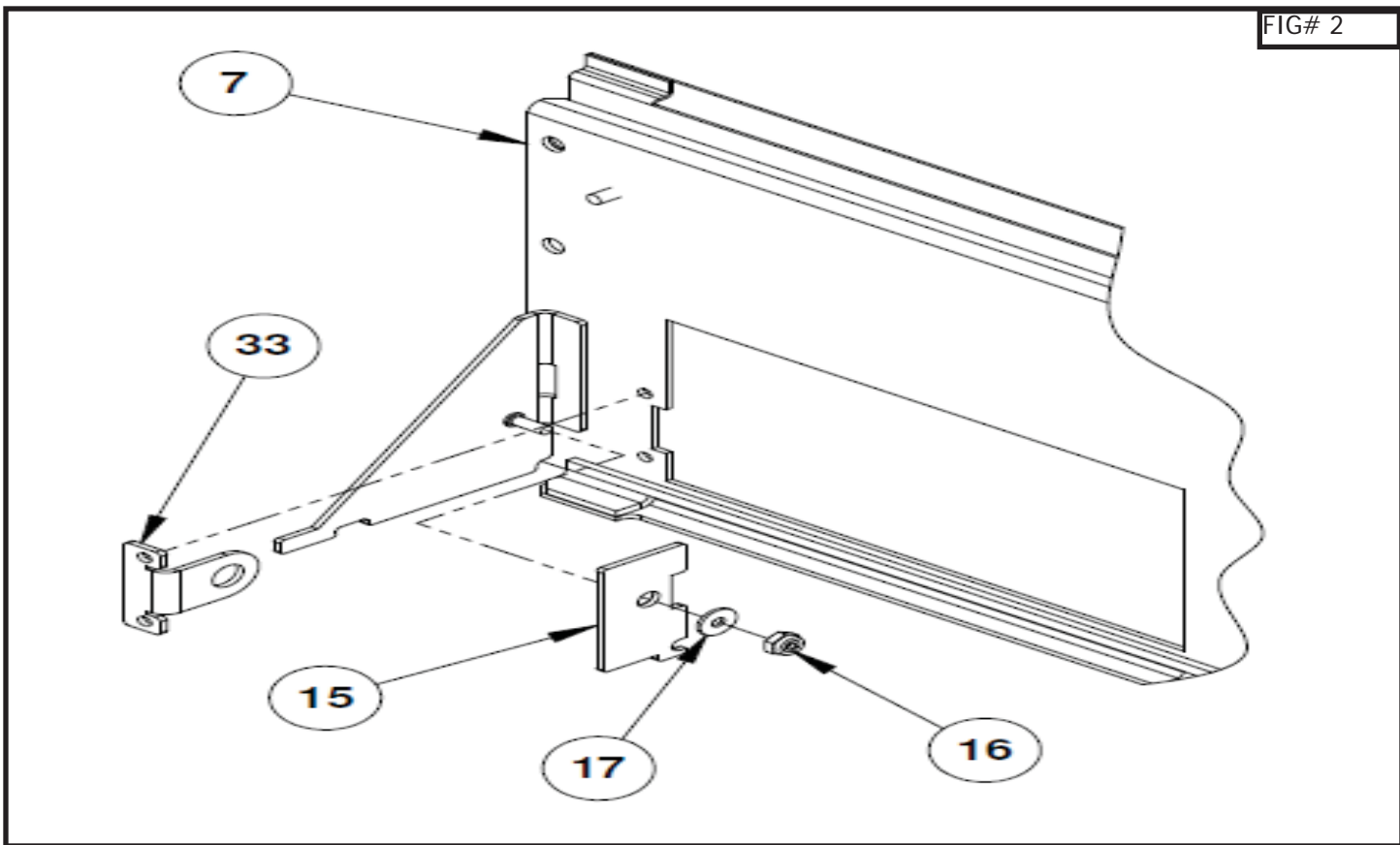
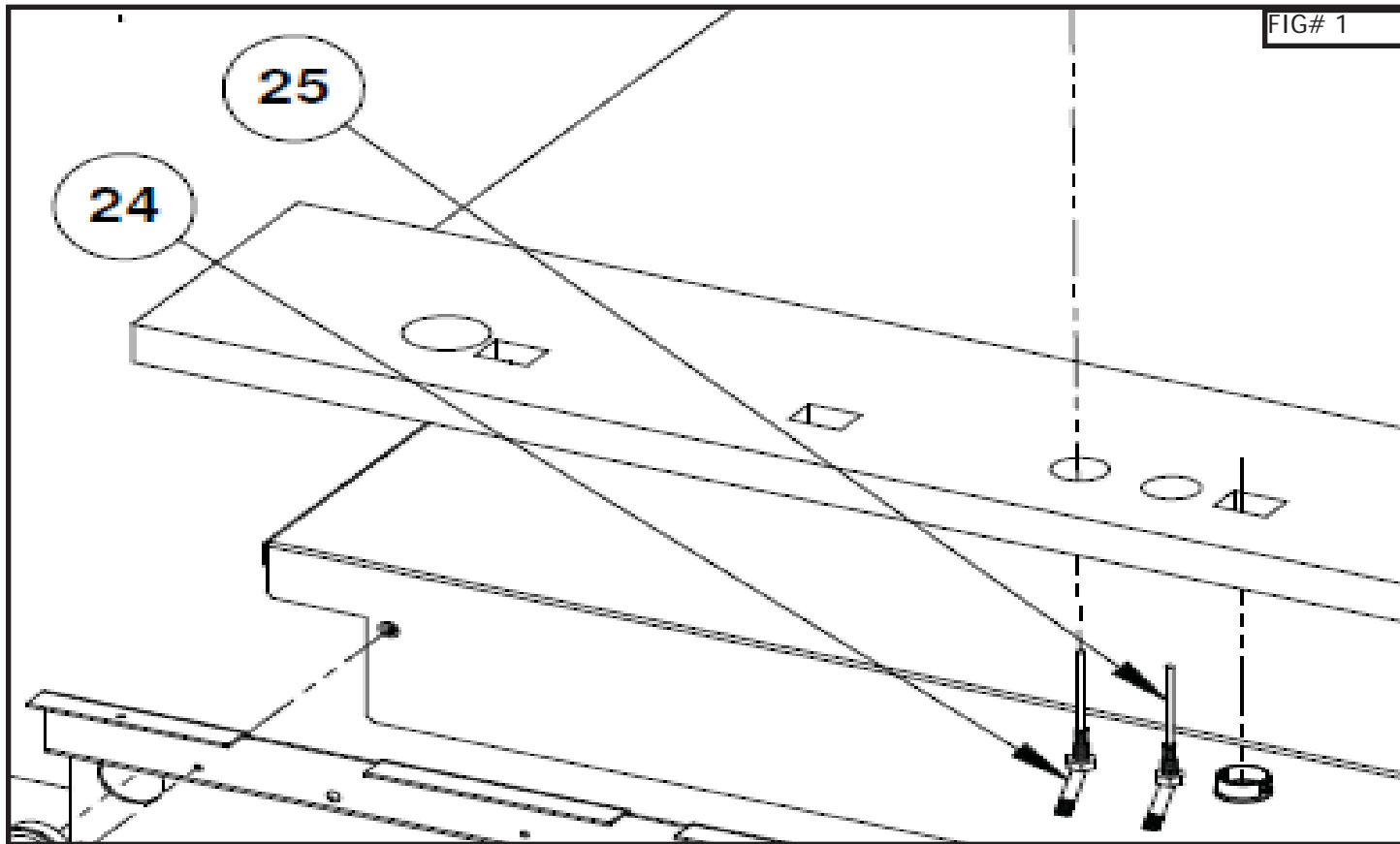
TABLE OF CONTENTS

DESCRIPTION	PAGE
Document History	1
Outer Compents, Complete	2-6
Control Panel	7-8
Electrical Components, Power	9
Griddle Stand, Casters	10
Griddle Leg, Adjustable Foot/Flanged	11

DOCUMENT HISTORY

Current Revision	Date	Prior Revision	Date
MP5018-1605	05/12/2016	N/A	







ITEM #	PART NUMBER	DESCRIPTION
1	AT2A-3556-28	CHAMBER 240V-480V 24"-A MODEL
1	AT2A-3556-22	CHAMBER 208V 24"-A MODEL
2	AT2A-3556-29	CHAMBER 240V-480V 36"-A MODEL
2	AT2A-3556-23	CHAMBER 208V 36"-A MODEL
3	AT2A-3556-30	CHAMBER 240V-480V 48"-A MODEL
3	AT2A-3556-24	CHAMBER 208V 48"-A MODEL
4	AT2A-3556-25	CHAMBER 240V-480V 24"-B MODEL
4	AT2A-3556-19	CHAMBER 208V 24"-B MODEL
5	AT2A-3556-26	CHAMBER 240V-480V 36"-B MODEL
5	AT2A-3556-20	CHAMBER 208V 36"-B MODEL
6	AT2A-3556-27	CHAMBER 240V-480V 48"-B MODEL
6	AT2A-3556-21	CHAMBER 208V 48"-B MODEL
7	AT2A-4788-4	CONTROL PANEL 24"-A&B MODELS
7	AT2A-4788-5	CONTROL PANEL 36"-A&B MODELS
7	AT2A-4788-6	CONTROL PANEL 48"-A&B MODELS
8	AT2A-4965-1	ASSY, SIDE SUPPORT B MODEL LH
8	AT2A-4965-3	ASSY, SIDE SUPPORT A MODEL LH
9	AT2A-4965-2	ASSY, SIDE SUPPORT B MODEL RT
9	AT2A-4965-4	ASSY, SIDE SUPPORT A MODEL RT
10	AT2A-4769-1	PANEL ASSEMBLY, REAR 24"-A&B MODELS
10	AT2A-4769-2	PANEL ASSEMBLY, REAR 36"-A&B MODELS
10	AT2A-4769-3	PANEL ASSEMBLY, REAR 48"-A&B MODELS
11	AT2A-4745-1	SUPPORT ASSEMBLY, CENTER 24"-A&B MODELS
11	AT2A-4745-2	SUPPORT ASSEMBLY, CENTER 36"-A&B MODELS
11	AT2A-4745-3	SUPPORT ASSEMBLY, CENTER 48"-A&B MODELS
12	AT2M-4884-1	SHIELD, HEAT 24"-A&B MODELS
12	AT2M-4884-2	SHIELD, HEAT 36"-A&B MODELS
12	AT2M-4884-3	SHIELD, HEAT 48"-A&B MODELS
13	AT2M-4897-1	PANEL, ENCLOSURE BOTTOM 24"-A&B MODELS
13	AT2M-4897-2	PANEL, ENCLOSURE BOTTOM 36"-A&B MODELS
13	AT2M-4897-3	PANEL, ENCLOSURE BOTTOM 48"-A&B MODELS
14	AT2M-4964-1	ANGLE, SIDE SUPPORT BRACE 24"-A&B MODELS
14	AT2M-4964-2	ANGLE, SIDE SUPPORT BRACE 36"-A&B MODELS
14	AT2M-4964-3	ANGLE, SIDE SUPPORT BRACE 48"-A&B MODELS

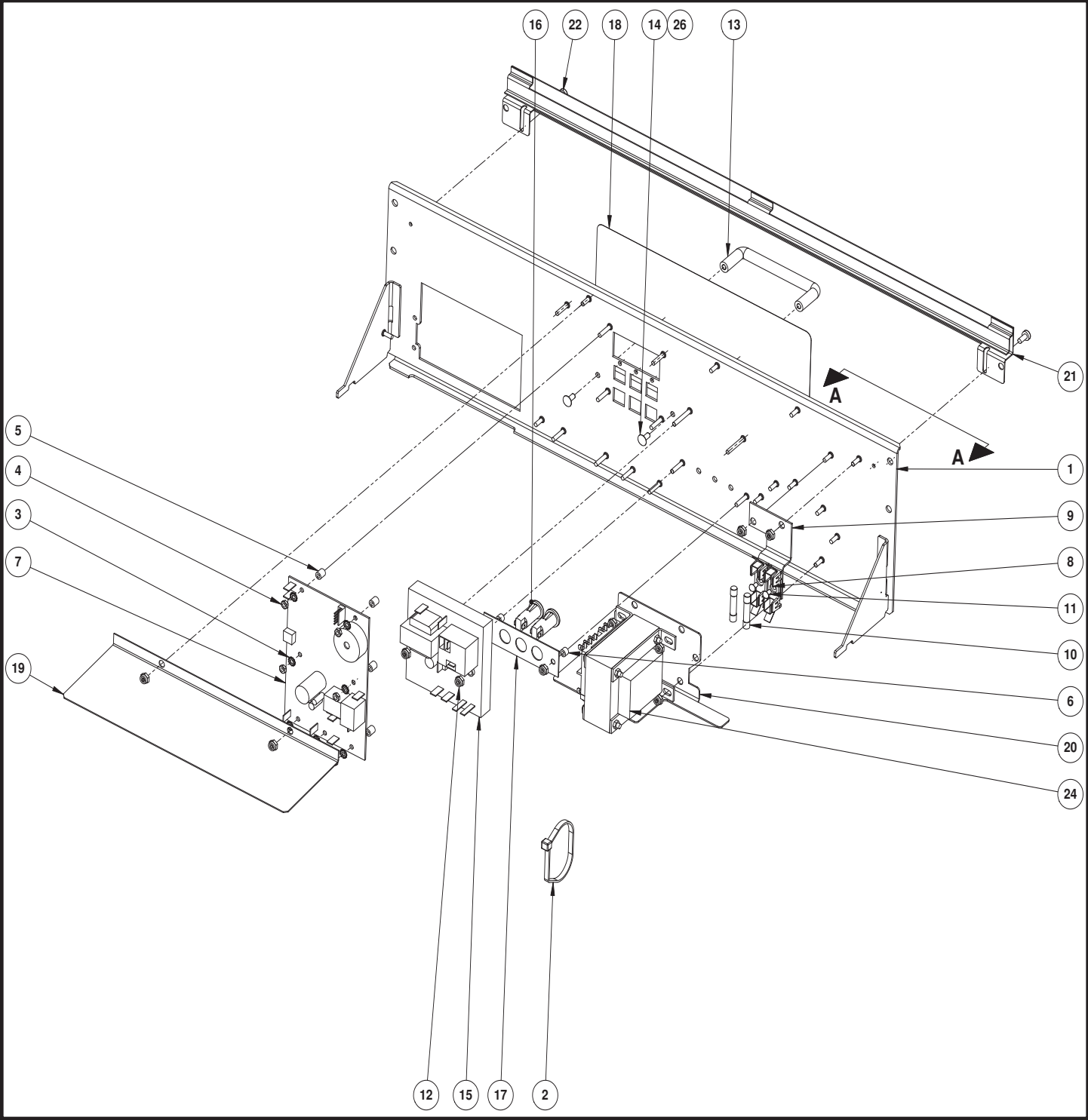


ITEM #	PART NUMBER	DESCRIPTION
15	AT2M-4787-1	LOCK, HINGE
16	AT0F-2691-21002	NUT, #6-32 NYLOC
17	AT0F-1052-21002	WASHER #6 TYPE B PLAIN
18	AT0G-4820-1	FOAM, SILICONE ALL MODELS
19	AT0G-4820-1	FOAM, SILICONE B MODEL
19	AT0G-4820-1	FOAM, SILICONE A MODEL
20	AT0G-4820-1	FOAM, SILICONE 24"
20	AT0G-4820-1	FOAM, SILICONE 36"
20	AT0G-4820-1	FOAM, SILICONE 48"
21	AT2A-4937-1	ASSEMBLY, GREASE TRAY 24"-A&B MODELS
21	AT2A-4937-2	ASSEMBLY, GREASE TRAY 36"-48"-A&B MODELS
22	AT2M-4791-1	SHIELD, GREASE 24"-A&B MODELS
22	AT2M-4791-2	SHIELD, GREASE 36"-A&B MODELS
22	AT2M-4791-3	SHIELD, GREASE 48"-A&B MODELS
23	AT2A-4885-1	GREASE CAN ASSY 24"-A&B MODELS
23	AT2A-4885-2	GREASE CAN ASSY 36"-48"-A&B MODELS
24	AT0E-2885-8	SENSOR, REPLACEABLE 1000 OHM RTD
25	AT0E-2885-7	SENSOR, REPLACEABLE 100 OHM RTD
26	AT2M-4890-1	COVER, GRIDDLE INSULATION 24"-B MODEL
26	AT2M-4890-2	COVER, GRIDDLE INSULATION 36"-B MODEL
26	AT2M-4890-3	COVER, GRIDDLE INSULATION 48"-B MODEL
26	AT2M-4890-4	COVER, GRIDDLE INSULATION 24"-A MODEL
26	AT2M-4890-5	COVER, GRIDDLE INSULATION 36"-A MODEL
26	AT2M-4890-6	COVER, GRIDDLE INSULATION 48"-A MODEL
27	AT2I-4888-1	INSULATION, G2 GRIDDLE 24"-A&B MODELS
27	AT2I-4888-2	INSULATION, G2 GRIDDLE 36"-A&B MODELS
27	AT2I-4888-3	INSULATION, G2 GRIDDLE 48"-A&B MODELS
28	AT2I-4888-7	INSULATION, G2 GRIDDLE 24"-A&B MODELS
28	AT2I-4888-8	INSULATION, G2 GRIDDLE 36"-A&B MODELS
28	AT2I-4888-9	INSULATION, G2 GRIDDLE 48"-A&B MODELS
29	AT2I-4888-43	INSULATION, G2 GRIDDLE 24"-A&B MODELS
29	AT2I-4888-44	INSULATION, G2 GRIDDLE 36"-A&B MODELS
29	AT2I-4888-45	INSULATION, G2 GRIDDLE 48"-A&B MODELS



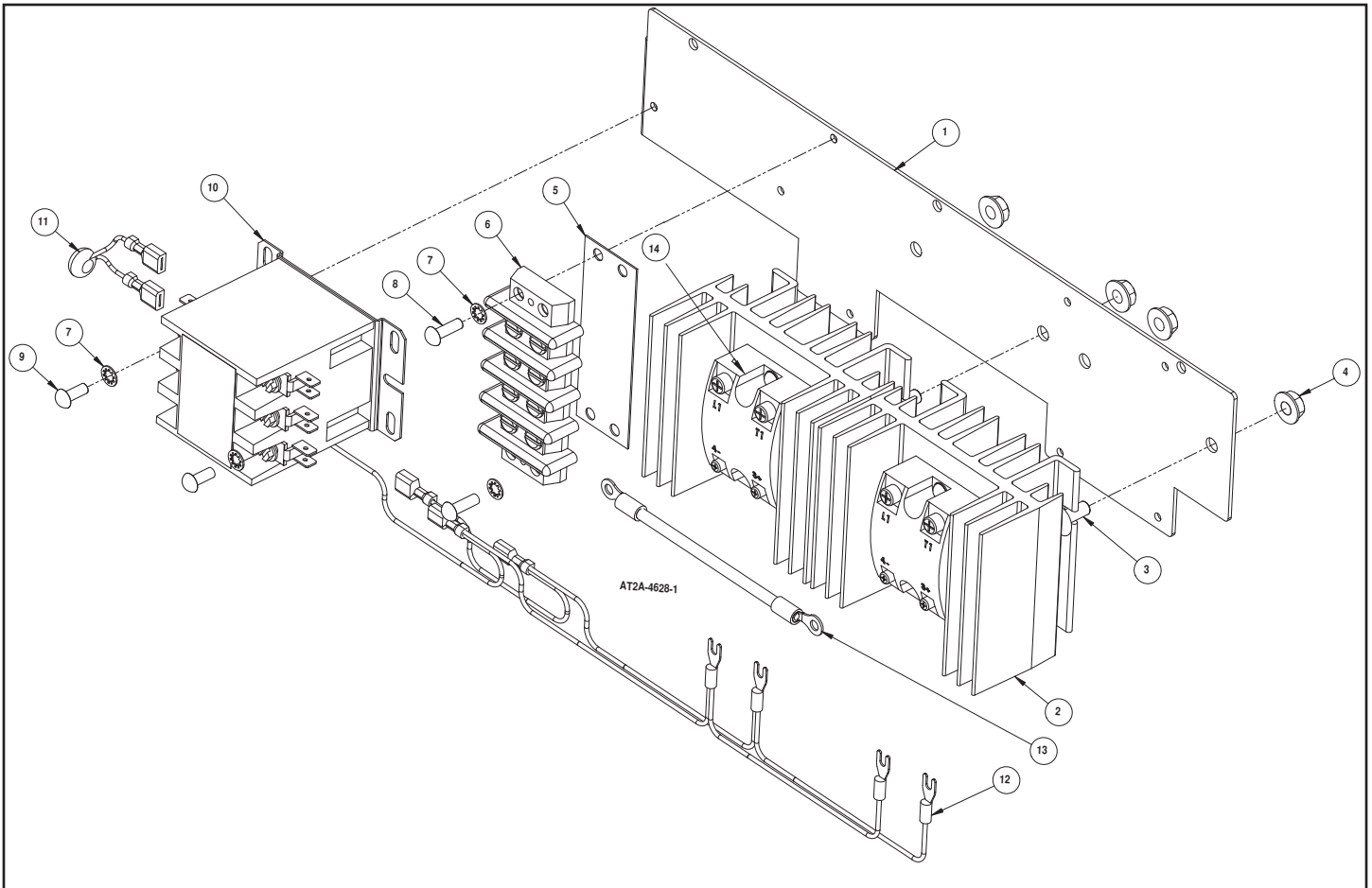
ITEM #	PART NUMBER	DESCRIPTION
30	AT2I-4888-52	INSULATION, G2 GRIDDLE 24" B MODEL
30	AT2I-4888-53	INSULATION, G2 GRIDDLE 36" B MODEL
30	AT2I-4888-54	INSULATION, G2 GRIDDLE 48" B MODEL
30	AT2I-4888-56	INSULATION, G2 GRIDDLE 24" A MODEL
30	AT2I-4888-57	INSULATION, G2 GRIDDLE 36" A MODEL
31	AT0H-2576-1	GROMMET, 7/8" NYLON
32	AT0H-2576-2	GROMMET, 1¼" NYLON
33	AT2M-4736-1	EYE, PADLOCK (MARITIME ONLY)
34	AT2A-4628-1	COMPONENT ASSEMBLY, ELECTRICAL
35	AT2E-2256	HOLE PLUG, GRIDDLE KNOCK OUT
36	AT2M-4946-1	BRACKET, REAR PANEL
37	AT0I-2524-1	INSULATION BULK 1.0" THK
38	AT0E-2086-4	CORD GRIP LOCKNUT
39	AT0E-1049-1	CONNECTOR, 1 1/4" HUB STRAIN RELIEF
40	AT0A-2788-25	POWER CABLE ASSY

WORLD'S BEST
ACCU-STEAM™
 GRIDDLE



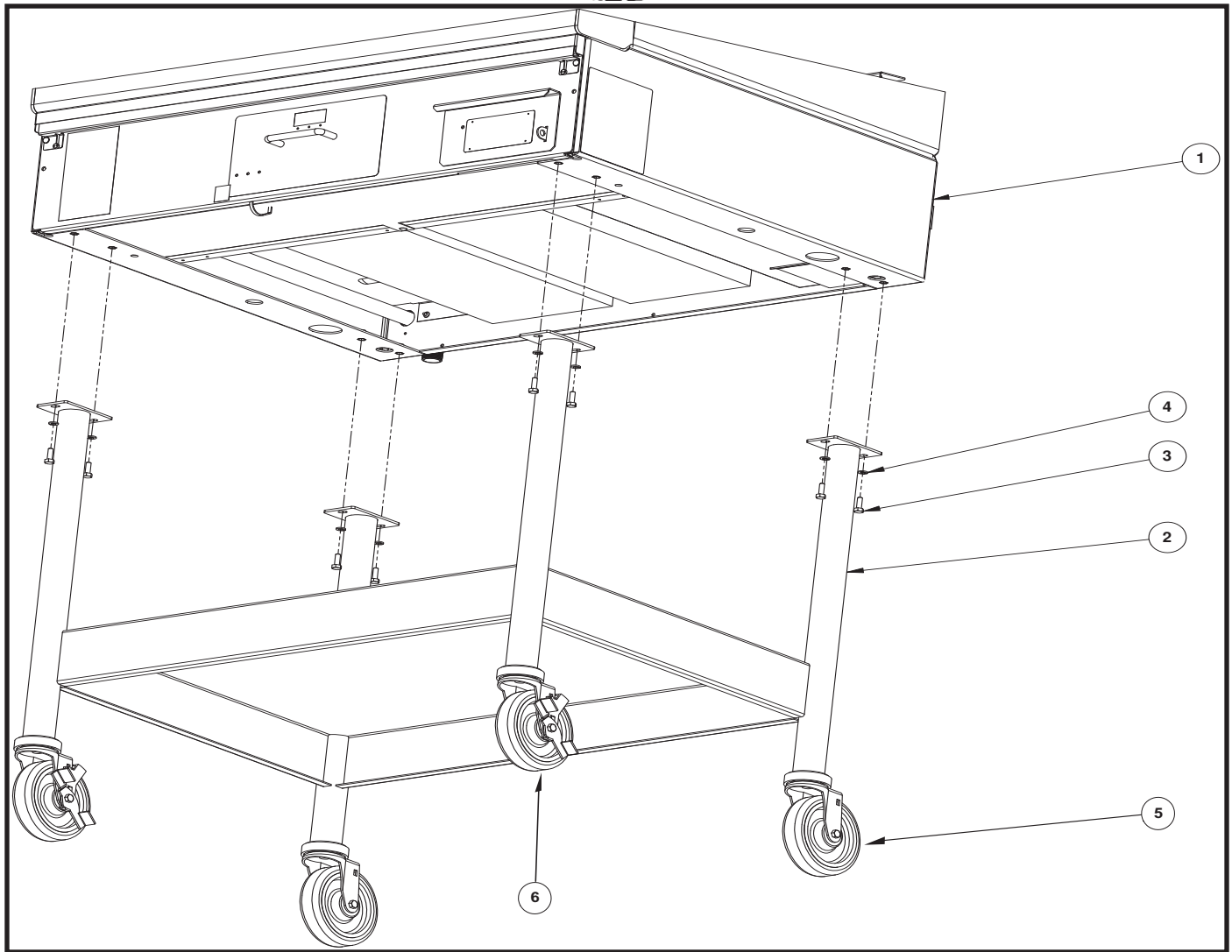


ITEM #	PART NUMBER	DESCRIPTION
1	AT2A-4789-1	WELD ASSEMBLY, CONTROL PANEL
2	AT0E-2580-1	CABLE TIE
3	AT0F-2666-21006	WASHER, #6 EXTERNAL TOOTH LOCK
4	AT0F-3621-1	NUT, #6-32UNC-2B MACHINE SCREW HEX
5	AT0H-3623-1	SPACER, ROUND CLEAR HOLE
6	AT0H-3623-2	SPACER, ROUND CLEAR HOLE
7	AT0E-3625-5	CONTROLLER, QUANTEM SERIES 130
8	AT0E-2708-1	3AG OMNI-BLOK FUSE BLOCK 2 POS
9	AT2M-2820-2	BRACKET FUSE HOLDER
10	AT0E-2731-4	FUSE 3/4 AMP 250V SLO-BLO
11	AT0F-2755-21020	SCREW, #6-32UNC X 1/4 PHILIPS
12	AT0F-2691-21002	NUT, #6-32 NYLOC
13	AT0H-4105-5	HANDLE, PULL
14	AT0F-1046-31030	SCREW, #8-32 x 3/8 PHLP TRUSS HEAD
15	AT0E-3880-1	HIGH LIMIT CONTROLLER
16	AT0E-1800-2	INDICATOR LAMP RED LED 24V
17	AT1M-3607-1	BRACKET, INDICATOR LAMP AT2L-4557-1
18	AT2L-4557-1	OVERLAY, CONTROL PANEL
19	AT2M-4893-1	SHIELD, SPLASH
20	AT2M-4801-1	GUARD, TRANSFORMER
21	AT2A-4896-1	ASSY, WATER DEFLECTOR SHIELD
22	AT0F-3448-31036	SCREW, #8-32 X 3/8" DRL SPAN PAN HD MACH
23	AT2A-4454-32	ASSEMBLY, G2 HARNESS SETS
24	AT0E-2662-5	TRANSFORMER
25	AT0L-3682-1	DECAL, ENERGY STAR
26	AT0H-3065-2	THREAD LOCKER LIQUID 246

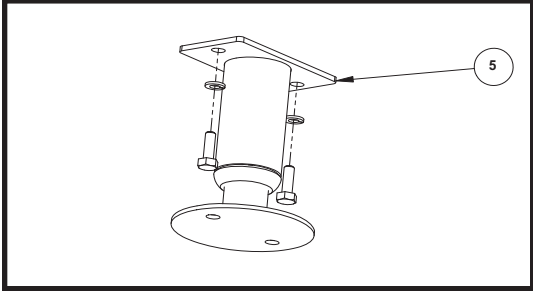
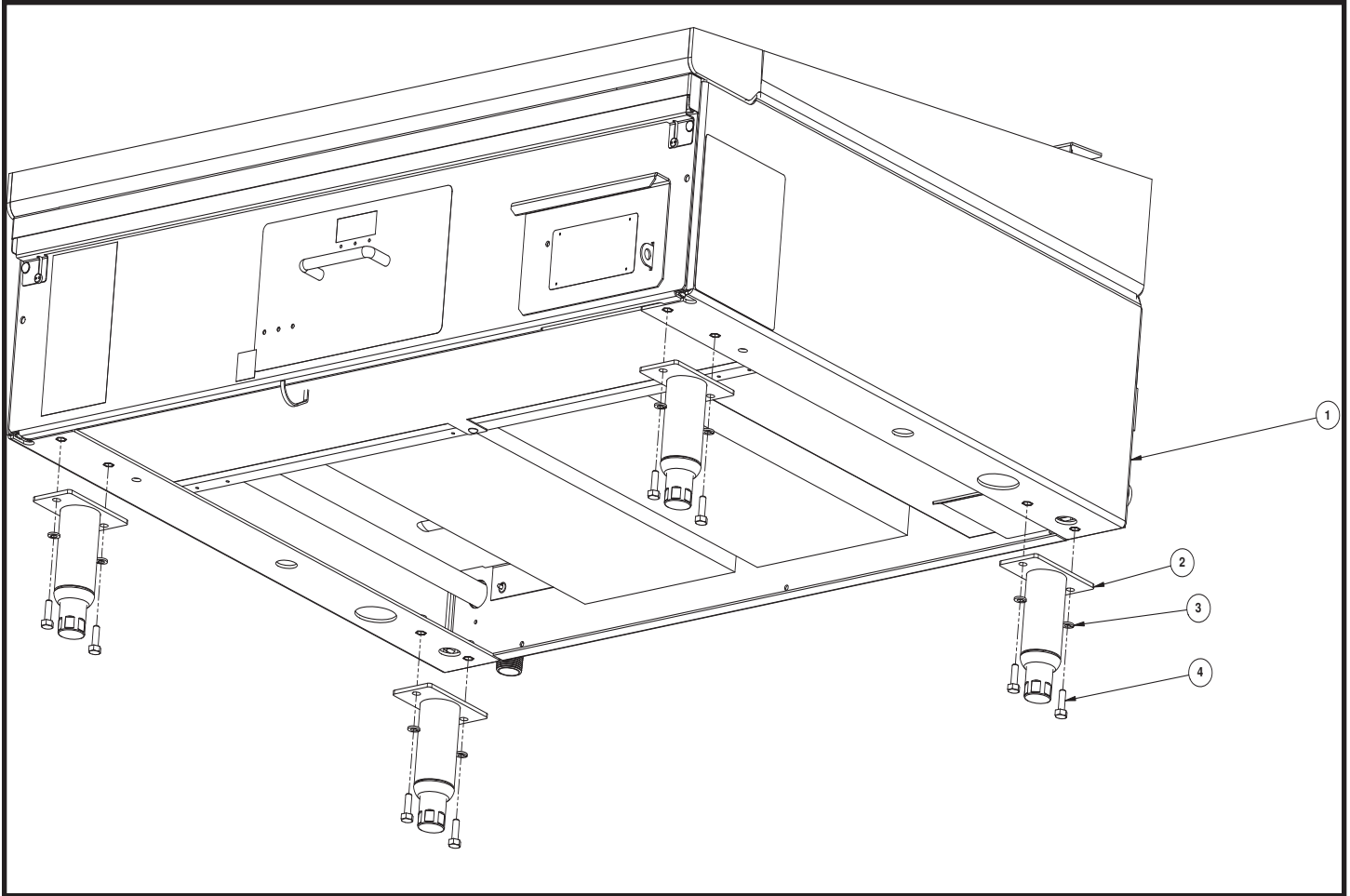


ITEM #	PART NUMBER	DESCRIPTION
1	AT2M-4894-1	PANEL, RELAY MOUNTING
2	AT1A-3707-2	HEAT SINK ASSY, SSR
3	AT0F-1921-51051	BOLT, 316SS ¼-20 UNC 2A X 5/8" CARRIAGE
4	AT0F-1017-51002	NUT, 1/4-20UNC HEX SERRATED
5	AT0E-3025-2	INSULATOR STRIP, DOUBLE ROW
6	AT0E-1134-4	4 POSITION TERMINAL BLOCK
7	AT0F-2666-40000	WASHER, #10 INTERNAL TOOTH LOCK
8	AT0F-2755-40050	SCREW, #10-32UNF X 5/8 PHILIPS
9	AT0F-2755-40040	SCREW, #10-32UNF X 1/2 PHILIPS
10	AT0E-1587-4	3 POLE CONTACTOR
11	AT0A-2736-8	MOV- TERMINALS ASSEMBLY
12	AT2A-4454-36	ASSEMBLY, G2 HARNESS SETS, 3 PHASE
12	AT2A-4454-37	ASSEMBLY, G2 HARNESS SETS, 1 PHASE
13	AT2A-4454-47	ASSEMBLY, G2 HARNESS SETS, 3 PHASE
13	AT2A-4454-48	ASSEMBLY, G2 HARNESS SETS, 1 PHASE
14	AT0E-2059-3	SOLID STATE RELAY

WORLD'S BEST
ACCU-STEAM™
GRIDDLE



ITEM #	PART NUMBER	DESCRIPTION
1	EGF/GGF-G2	Accu-Steam Griddle
2	AT2A-2896-1	24" STAND ASSEMBLY
2	AT2A-2896-2	36" STAND ASSEMBLY
2	AT2A-2896-3	48" STAND ASSEMBLY
3	AT0F-2875-51060	SCREW, 1/4-20UNC X 3/4 HEX HEAD MACHINE
4	AT0F-1922-50000	WASHER, 1/4" HELICAL SPRING LOCK
5	AT0H-2479-3	5" CASTER W/O BRAKE-GRIDDLE STAND
6	AT0H-2479-4	5" CASTER W/BRAKE-GRIDDLE STAND



ITEM #	PART NUMBER	DESCRIPTION
1	EGF/GGF-G2	Accu-Steam Griddle
2	AT2A-3032-1	LEG ASSEMBLY 4"-BULLET FEET
2	AT2A-3032-2	LEG ASSEMBLY 8"-BULLET FEET (NOT SHOWN)
3	AT0F-1922-50000	WASHER, 1/4" HELICAL SPRING LOCK
4	AT0F-2875-51060	SCREW, 1/4-20UNC X 3/4 HEX HEAD MACHINE
5	AT2A-3032-3	LEG ASSEMBLY 4" - FLANGED FEET



An AccuTemp Products, Inc. Technical Service Technician is available:
Monday thru Sunday, 7:00am to 7:00pm EST.



Toll Free	800 480-0415
Office	260 469-3040
Fax	260 469-3045
Email -Service	service@accutemp.net
Email-Parts	parts@accutemp.net
Web Site	www.accutemp.net