

Project: _____ Location: _____ Item #: _____ Quantity: _____

Short Specification

Griddle shall be an ENERGY STAR compliant gas-heated unit, with a hermetically sealed chamber that produces steam that heats the 7-gauge stainless steel griddle plate. Efficient steam heat transfer provides 200–400°F (93–204°C) operating temperature range and uniform griddle surface temperatures of ±5°F (±3°C). Griddle fabricated from cold-rolled stainless steel with 4" high back splash, sides that taper from 4" to 1 5/16", a 3 7/8" wide by 1/2" deep full front grease trough and 5- 6 1/2 quart grease drawer. Unit to be ANSI Z83.11 Design Certified, UL EPH Sanitation Certified (NSF/ANSI 4) and manufactured in the USA.

Construction Features

- Cold-rolled and annealed stainless steel griddle plate with polished stainless steel body
- 7 gauge griddle plate with 4" high rear splash and 4" to 1 5/16" tapered side walls
- 3 7/8" wide by 1/2" deep full front grease trough
- 1 1/2 x 3 1/2" drop chute to 5 [24"], 6 1/2 [36", 48"] quart capacity grease pan
- 4" legs with bullet feet
- Control guard

Performance Features

- Hermetically-sealed steam chamber heats high efficiency griddle plate
- Infrared burners
- Steam transfers heat evenly to entire cooking surface with only ±5°F (±3°C) in temperature variation
- Rapid surface temperature recovery allows turning product to same spot
- Smooth cold-rolled stainless steel griddle surface speeds and simplifies cleaning

Standard Control Features

- Heating indicator light
- 200–400°F (93–204°C) digital thermostat
- Easy front service access to controls
- Control guard
- 3 preset temperatures capable
- Instant surface temperature readout
- Manager mode to lock out temperature controls
- Over temperature indicator light

Cooking Capacity & Applications

Effective Cooking Area

Depth	24" Wide	36" Wide	48" Wide
30"	717 sq. in.	1077 sq. in.	1437 sq. in.
24"	574 sq. in.	862 sq. in.	1150 sq. in.

Griddle Applications include:

- Pancakes, Eggs, Sausage, French Toast
- Burgers, Grilled Onions, Toasted Buns
- Grilled Cheese, Sandwiches
- Fried Potatoes, Fish, Chicken Breasts, Philly Steaks, Liver and MORE

Safety, Sanitation & Environmental



GGF-A36 Accu-SteAM[™]
Stand-Mounted Griddle
(also available with bullet or flanged feet)

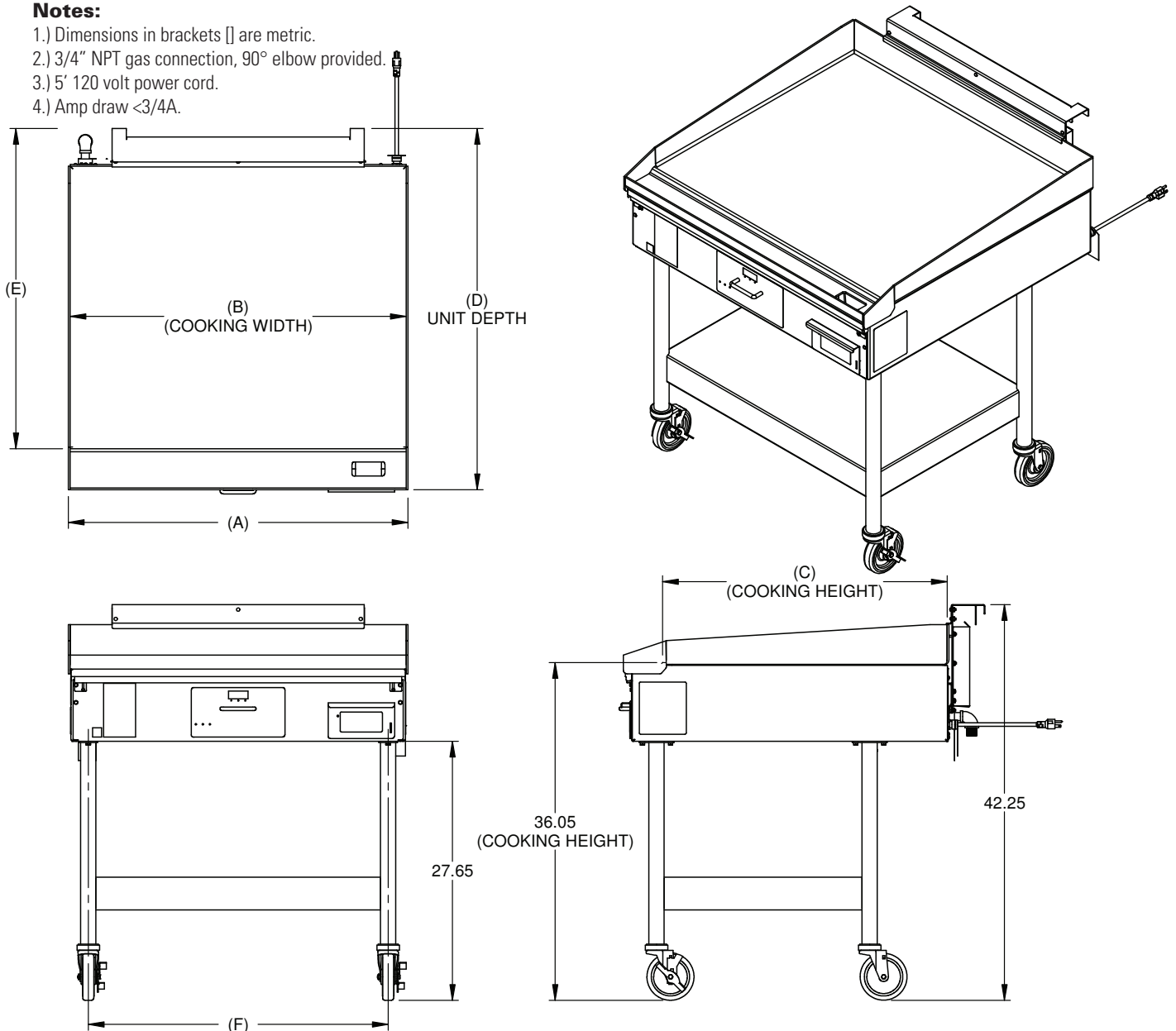
Options & Accessories

- "U" Channel for connecting 2 griddles
- Front mounted prep shelf—8" wide stainless steel
- Condiment Board
- Maritime Package (call for details)
- Correction Package (call for details)
- Chain Package (call for details)
- Heavy duty stainless steel stand with bottom shelf and 5" casters
- Propane available (call for details)

Accu-Steam Gas Griddle Specifications						
Model #	GGF1201A2450-S2	GGF1201B2450-S2	GGF1201A3650-S2	GGF1201B3650-S2	GGF1201A4850-S2	GGF1201B4850-S2
BTU Firing Rate per Hour	42,300	42,300	70,000	70,000	85,000	85,000
Unit Width (A)	24.25 [616]	24.25 [616]	36.25 [921]	36.25 [921]	48.25 [1226]	48.25 [1226]
Unit Depth (D)	38.3 [973]	32.3 [820]	38.3 [973]	32.3 [820]	38.3 [973]	32.3 [820]
Cooking Surface Width (B)	23.9 [607]	23.9 [607]	35.9 [912]	35.9 [912]	47.9 [1217]	47.9 [1217]
Cooking Surface Depth (C)	30 [762]	24 [610]	30 [762]	24 [610]	30 [762]	24 [610]
Depth to Rear Leg (E)	8.5 [216]	2.5 [64]	8.5 [216]	2.5 [64]	8.5 [216]	2.5 [64]
Center Right to Left (F)	20 [508]	20 [508]	32 [813]	32 [813]	44 [1117]	44 [1117]
Effective Cooking Area	717 sq. in.	574 sq. in.	1077 sq. in.	862 sq. in.	1437 sq. in.	1150 sq. in.
Grease Pan Capacity	5 qt	5 qt	6 1/2 qt	6 1/2 qt	6 1/2 qt	6 1/2 qt
NEMA Plug	5-15	5-15	5-15	5-15	5-15	5-15

Notes:

- 1.) Dimensions in brackets [] are metric.
- 2.) 3/4" NPT gas connection, 90° elbow provided.
- 3.) 5' 120 volt power cord.
- 4.) Amp draw <3/4A.



MM5209-1812