



## ACCU-STEAM™ GAS GRIDDLE PARTS MANUAL



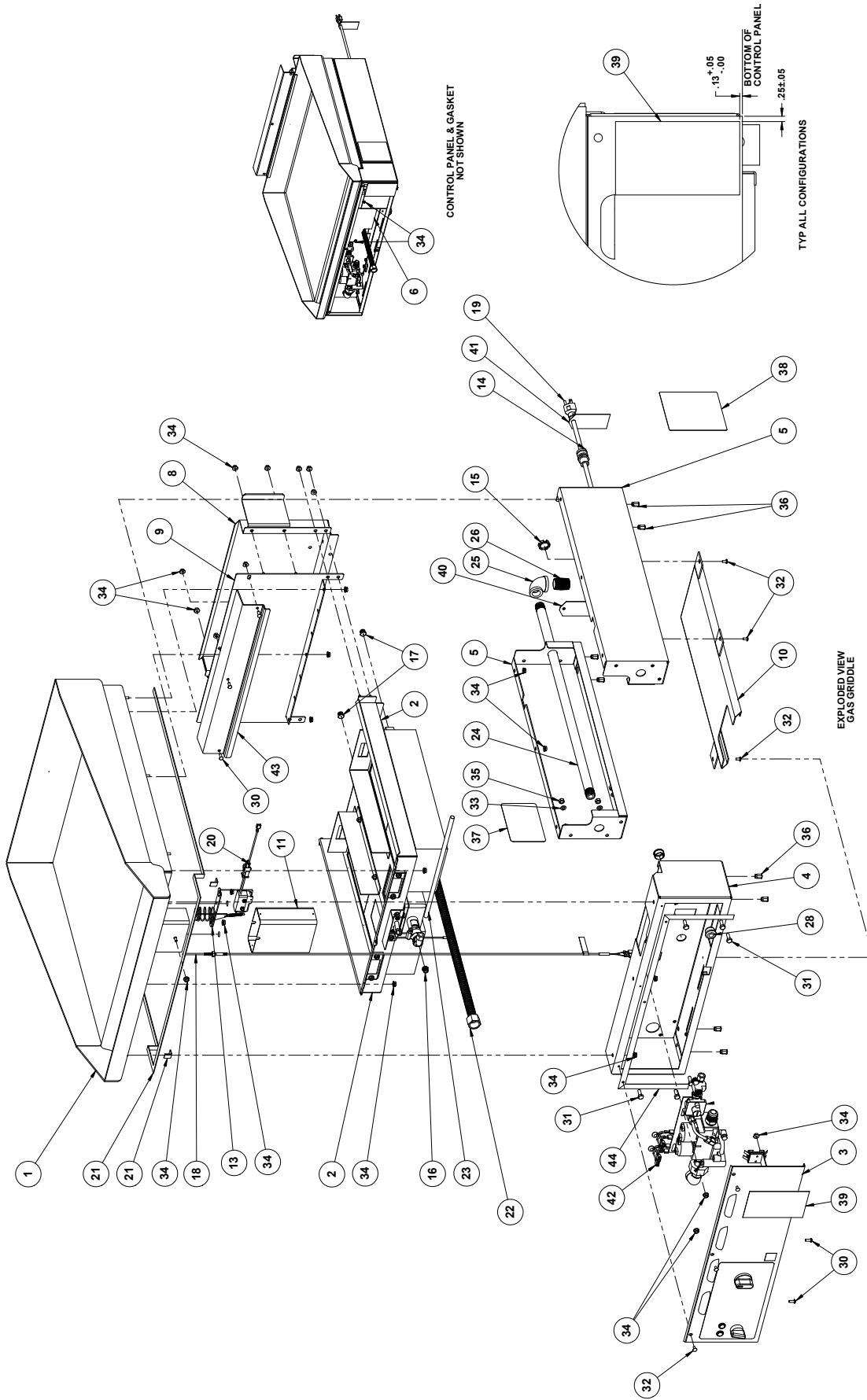
CURRENT REVISION	SP8007-0814	PRIOR REVISION	SP8007-0808
DATE	08/2014	DATE	08/2008
CHANGE			

THIS MANUAL COVERS:  
SERIAL NUMBER 7895 AND HIGHER

<b>TABLE OF CONTENTS</b>	
DOCUMENT HISTORY	1
TABLE OF CONTENTS	2
GAS GRIDDLE ASSEMBLY	
COMBUSTION CHAMBER ASSEMBLY	
PILOT BURNER ASSEMBLY	
GAS CONTROL VALVE ASSEMBLY	
CONTROL PANEL ASSEMBLY	
HIGH LIMIT ASSEMBLY	
GAS APPLIANCE CONVERSION KIT	
KNOB GUARD KIT	

GAS GRIDDLE ASSEMBLY  
AT2A-2813

GAS GRIDDLE ASSEMBLY  
AT2A-2813



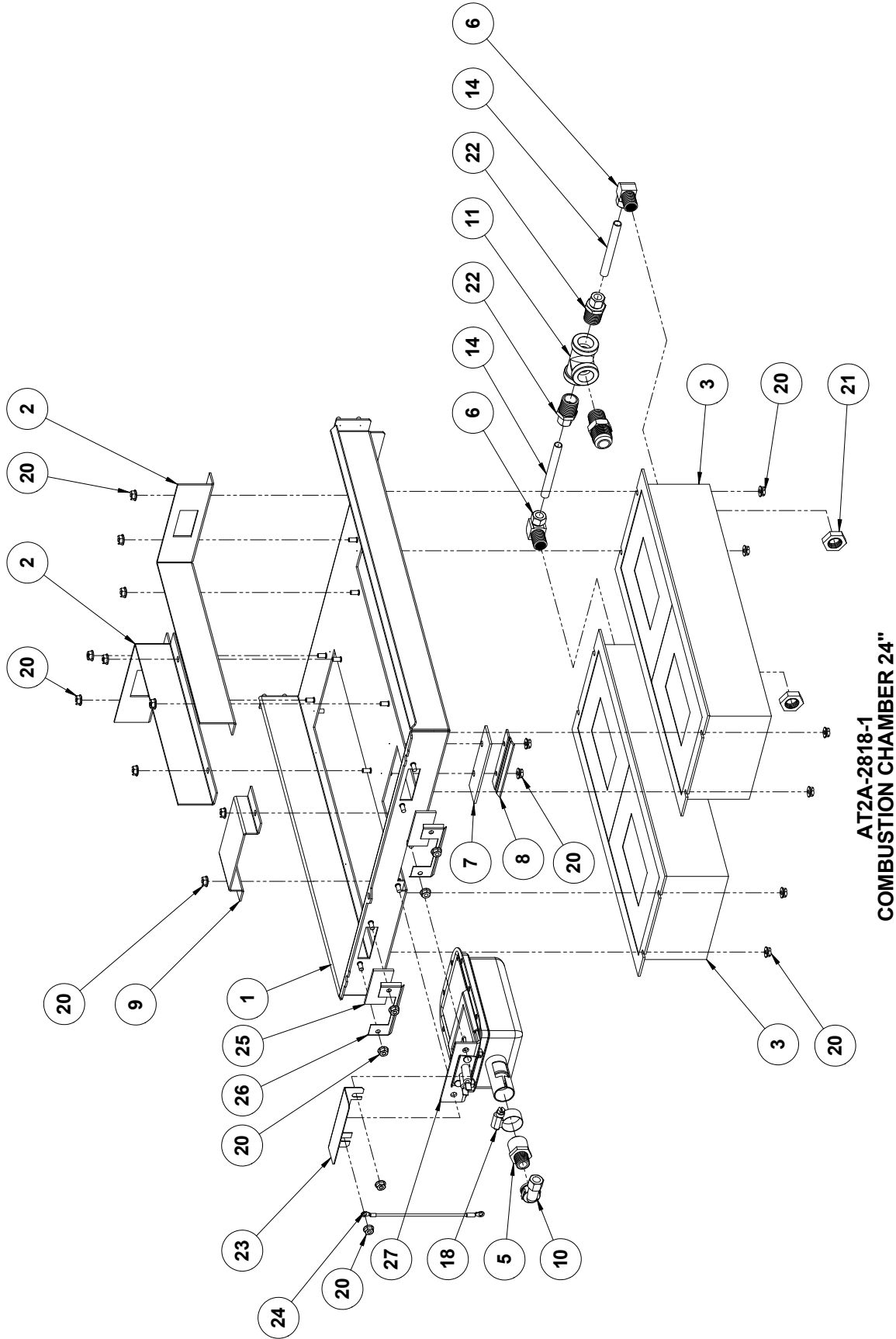
AT2A-2813

ITEM	PART NUMBER	DESCRIPTION
1	AT2A-2808-1	GRIDDLE CHAMBER ASSEMBLY 24 X 24
1	AT2A-2808-2	GRIDDLE CHAMBER ASSEMBLY 36 X 24
1	AT2A-2808-3	GRIDDLE CHAMBER ASSEMBLY 48 X 24
1	AT2A-2808-4	GRIDDLE CHAMBER ASSEMBLY 24 X 29
1	AT2A-2808-5	GRIDDLE CHAMBER ASSEMBLY 36 X 29
1	AT2A-2808-6	GRIDDLE CHAMBER ASSEMBLY 48 X 29
2	AT2A-2818-1	COMBUSTION CHAMBER 24"
2	AT2A-2818-2	COMBUSTION CHAMBER 36"
2	AT2A-2818-3	COMBUSTION CHAMBER 48"
3	AT2A-2819-1	CONTROL PANEL 24"
3	AT2A-2819-2	CONTROL PANEL 36"
3	AT2A-2819-3	CONTROL PANEL 48"
3	AT2A-2819-4	CONTROL PANEL 24" 100 SERIES
3	AT2A-2819-5	CONTROL PANEL 36" 100 SERIES
3	AT2A-2819-6	CONTROL PANEL 48" 100 SERIES
4	AT2A-2815-1	FRONT SKIRT 24" ASSEMBLY
4	AT2A-2815-2	FRONT SKIRT 36" ASSEMBLY
4	AT2A-2815-3	FRONT SKIRT 48" ASSEMBLY
5	AT2M-2880-1	SIDE SKIRT 24"
5	AT2M-2880-2	SIDE SKIRT 29"
6	AT2M-2044-3	PLATE, FRONT SKIRT COVER
7	AT2A-2850-3	GAS CONTROL VALVE ASSEMBLY NATURAL GAS
7	AT2A-2850-4	GAS CONTROL VALVE ASSEMBLY PROPANE
8	AT2A-3539-1	OUTER FLUE ASSEMBLY
8	AT2A-3539-2	OUTER FLUE ASSEMBLY
8	AT2A-3539-3	OUTER FLUE ASSEMBLY
9	AT2A-2855-1	INNER FLUE PANEL ASSY 24"
9	AT2A-2855-2	INNER FLUE PANEL ASSY 36"
9	AT2A-2855-3	INNER FLUE PANEL ASSY 48"
10	AT2A-2137-1	GREASE PAN RAIL
11	AT2A-2592-6	5" GREASE SPOUT EXTENSION
13	AT2A-2916-2	HIGH LIMIT OVERTEMP ASSEMBLY
14	AT0E-1049-3	CONNECTOR, 1/2" HUB STRAIN RELIEF
15	AT0E-2086-1	CORD GRIP LOCKNUT
16	AT0B-2888-59	ORIFICE
16	AT0B-2888-71	ORIFICE
17	AT0B-2888-40	ORIFICE

ITEM	PART NUMBER	DESCRIPTION
17	AT0B-2888-42	ORIFICE
17	AT0B-2888-48	ORIFICE
17	AT0B-2888-48	ORIFICE
17	AT0B-2888-53	ORIFICE
17	AT0B-2888-54	ORIFICE
17	AT0B-2888-56	ORIFICE
18	AT0E-2885-3	SENSOR, REPLACEABLE
19	AT0A-2911-1	AC POWER CORD
20	AT2A-2821-1	HARNESS ASSEMBLY OT TO CONTROL PANEL
21	AT2G-1702-1	GASKET
22	AT0P-2846-1	FLEX TUBING 31" LG
22	AT0P-2846-3	FLEX TUBING 34" LG
23	AT2P-2104-1	3/8" FLEX TUBING 13.00" LG
24	AT2P-2447-1	PIPE, 1/2" NPT X 25.10" BLACK
24	AT2P-2447-2	PIPE, 1/2" NPT X 29.5" BLACK
25	AT2P-2466-1	ELBOW, REDUCING
26	AT2P-2465-1	PIPE, 3/4" NPT CLOSE NIPPLE
27	AT0H-2576-1	GROMMET, 7/8" NYLON
28	AT0E-2945-1	HEYCO STRAIGHT-THRU
30	AT0F-2755-41040	SCREW, #10-24UNC X 1/2 PHILIPS ROUND HEAD MACHINE
31	AT0F-2875-51062	SCREW, 1/4-20UNC X 3/4 HEX HEAD MACHINE
32	AT0F-1046-31030	SCREW, #8-32 x 3/8 PHLP TRUSS HEAD
33	AT0F-1922-50002	WASHER, 1/4" HELICAL SPRING LOCK
34	AT0F-1017-41002	NUT, #10-24UNC HEX SERRATED
35	AT0F-2778-51002	NUT, 1/4-20UNC-2B ZINC PLATED HEX MACHINE SCREW
36	AT0F-2668-2	NUTSERT, 1/4-20 HEX
37	AT0L-2802-1	OVERLAY, NOTICE, MOBILE APPLIANCE
38	AT0L-2799-1	OVERLAY, WARNING, GAS FIRED GRIDDLE
39	AT2L-3726-1	DATA TAG, GAS GRIDDLE
40	AT0L-2936-2	TAG GAS REGULATOR
41	AT0L-2936-1	TAG POWER CORD
42	AT0A-2736-9	MOV- TERMINALS ASSEMBLY 36V
43	AT2M-3538-1	BRACKET, DRAFT DIVERTER
43	AT2M-3538-2	BRACKET, DRAFT DIVERTER
43	AT2M-3538-3	BRACKET, DRAFT DIVERTER
44	AT0G-3449-1	GASKET, 24" FRONT SKIRT
44	AT0G-3449-2	GASKET, 36" FRONT SKIRT
44	AT0G-3449-3	GASKET, 48" FRONT SKIRT

24" COMBUSTION BOX ASSEMBLY - AT2A-2818-1 REV E

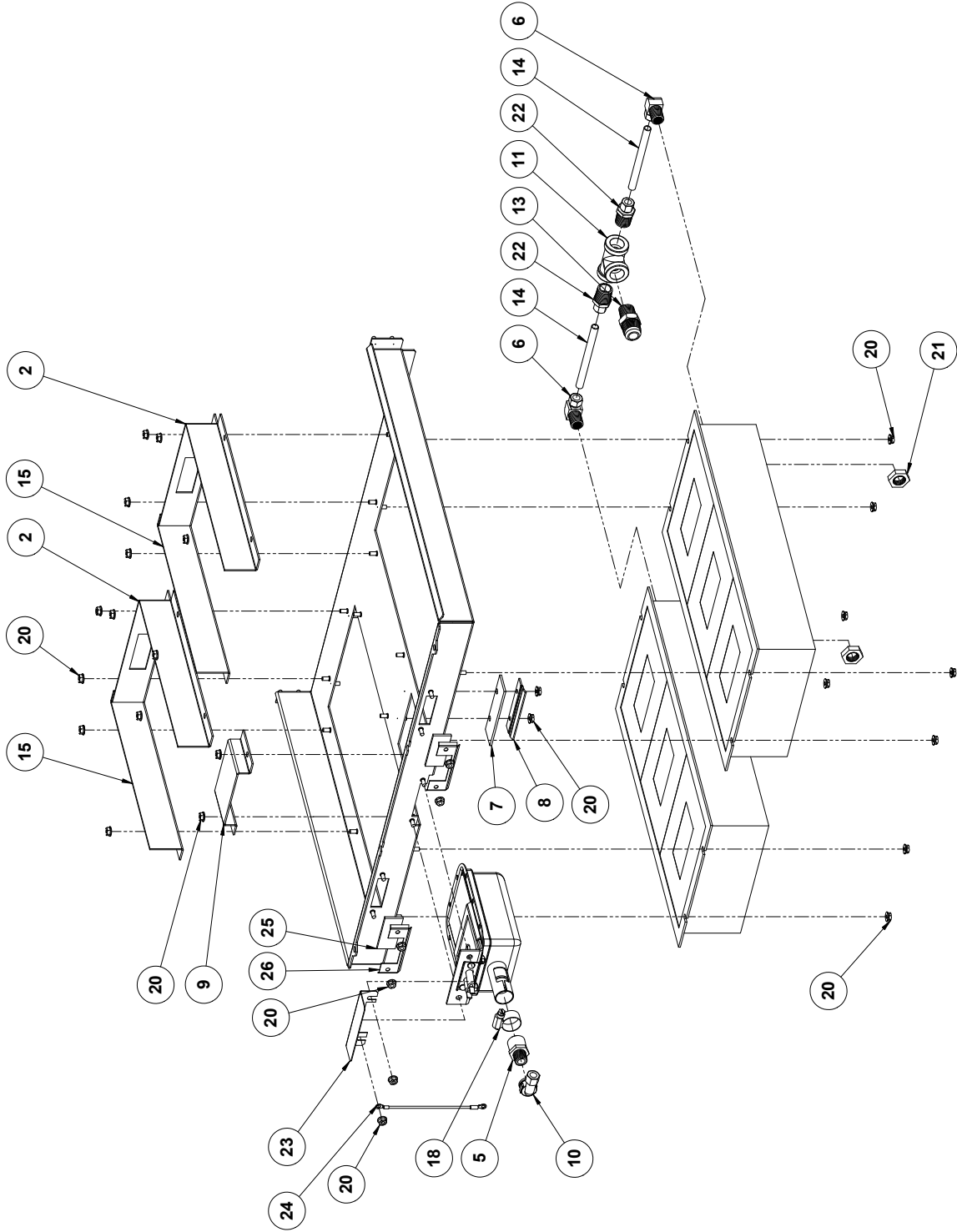
24" COMBUSTION BOX ASSEMBLY - AT2A-2818-1 REV E



AT2A-2818-1  
COMBUSTION CHAMBER 24"

# 36" COMBUSTION BOX ASSEMBLY - AT2A-2818-2 REV E

36" COMBUSTION BOX ASSEMBLY - AT2A-2818-2 REV E



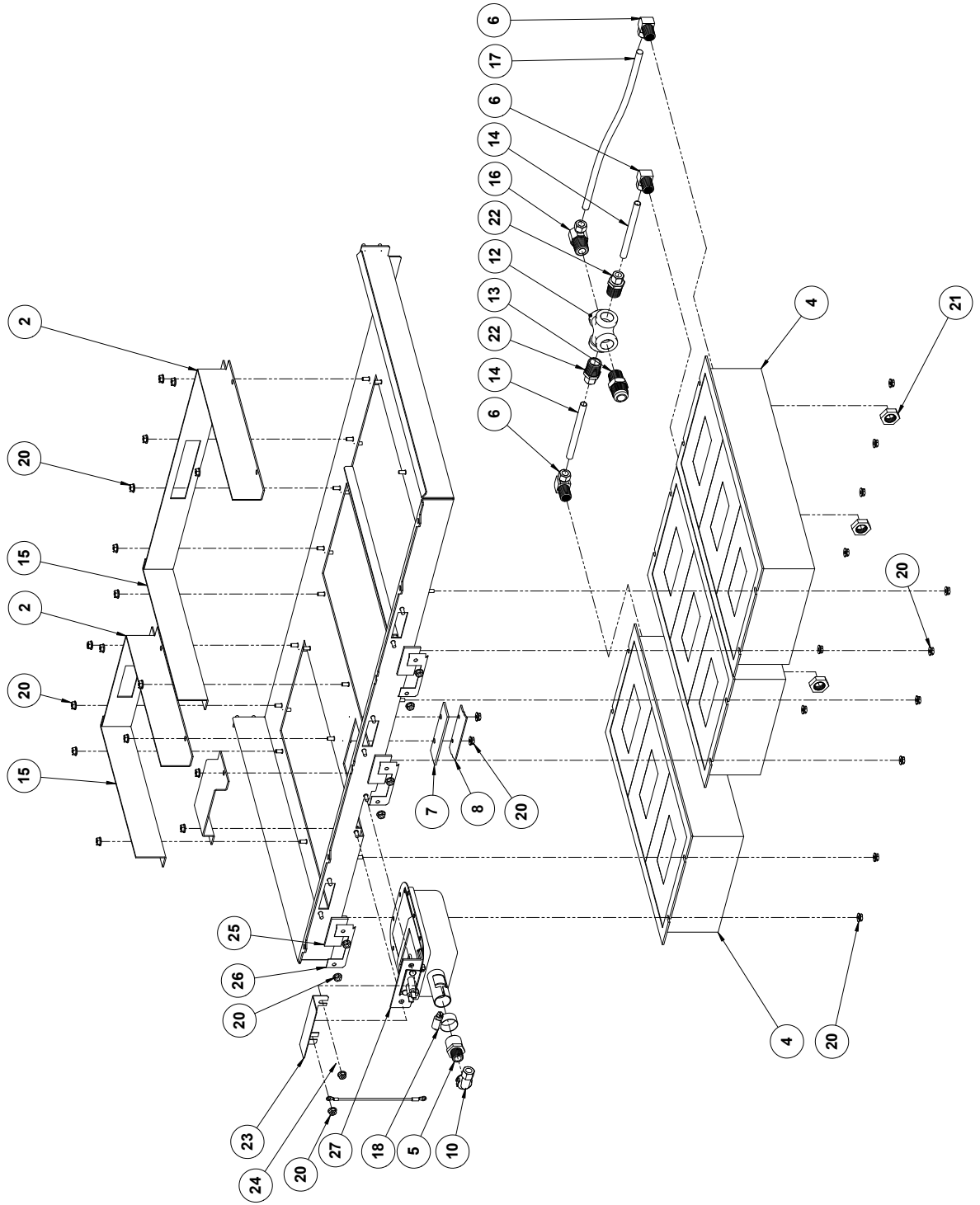
AT2A-2818-2  
COMBUSTION CHAMBER 36"

SEE PAGE 7 FOR MISSING ITEM NUMBERS



# 48" COMBUSTION BOX ASSEMBLY - AT2A-2818-3 REV E

48" COMBUSTION BOX ASSEMBLY - AT2A-2818-3 REV E



AT2A-2818-3  
COMBUSTION CHAMBER 48"

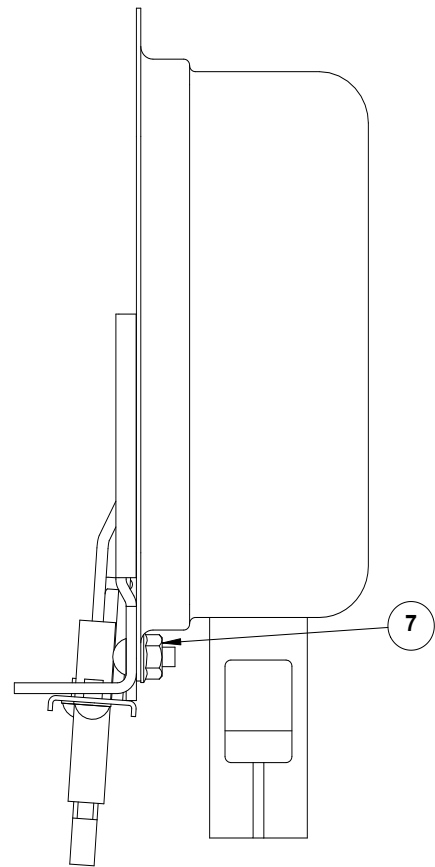
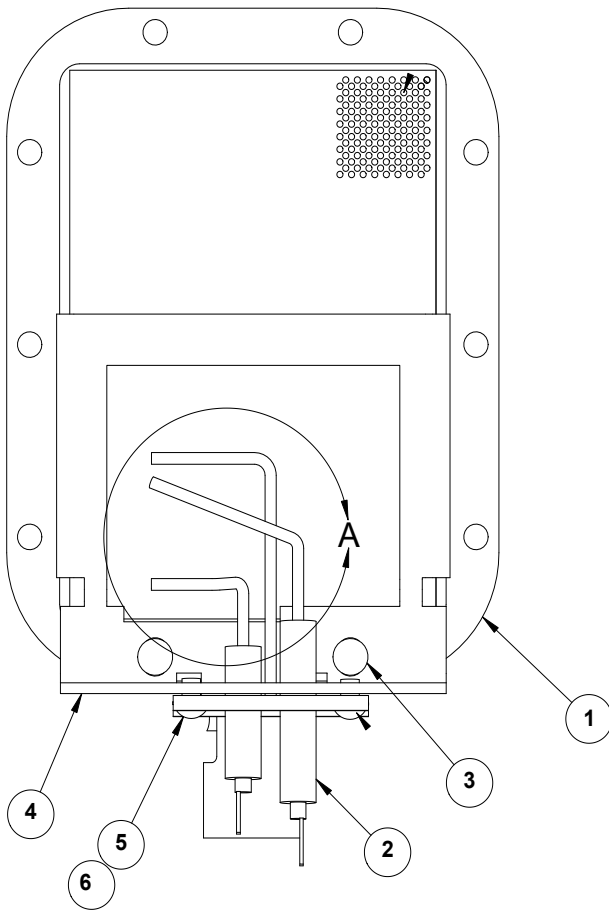
SEE PAGE 7 FOR MISSING ITEM NUMBERS

AT2A-2818 REV E - COMBUSTION BOX ASSEMBLY

ITEM	PART NUMBER	DESCRIPTION	24"	36"	48"
1	AT2A-2790-1	COMBUSTION BOX ASSEMBLY	<b>X</b>		
1	AT2A-2790-2	COMBUSTION BOX ASSEMBLY		<b>X</b>	
1	AT2A-2790-3	COMBUSTION BOX ASSEMBLY			<b>X</b>
2	AT2M-2795-1	BARRIER, FLUE GAS	<b>X</b>		
2	AT2M-2795-2	BARRIER, FLUE GAS		<b>X</b>	
2	AT2M-2795-3	BARRIER, FLUE GAS			<b>X</b>
3	AT2B-2131-1	20,000 BTU IR MAIN BURNER	<b>X</b>		
4	AT2B-2099-1	30,000 BTU IR MAIN BURNER		<b>X</b>	<b>X</b>
5	AT0B-2890-1	ORIFICE, ADAPTER	<b>X</b>	<b>X</b>	<b>X</b>
6	AT0B-2891-1	ELBOW 90° COMPRESSION	<b>X</b>	<b>X</b>	<b>X</b>
7	AT2M-2791-1	SPACER, BURNER	<b>X</b>	<b>X</b>	<b>X</b>
8	AT2M-2792-1	BRACKET, STEP	<b>X</b>	<b>X</b>	<b>X</b>
9	AT2M-2881-1	DEFLECTOR, GAS GRIDDLE	<b>X</b>	<b>X</b>	<b>X</b>
10	AT0P-2094-1	ELBOW 90° COMPRESSION	<b>X</b>	<b>X</b>	<b>X</b>
11	AT0P-2090-1	TEE 1/2 NPT SCH 40	<b>X</b>	<b>X</b>	
12	AT0P-2844-1	CROSS, 1/2 NPT SCH 40			<b>X</b>
13	AT0P-2845-1	MALE CONNECTOR 45° FLARE FITTING	<b>X</b>	<b>X</b>	<b>X</b>
14	AT0P-2276-1	SEAMLESS TUBING	<b>X</b>		
14	AT0P-2276-2	SEAMLESS TUBING		<b>X</b>	<b>X</b>
15	AT2M-2824-1	BARRIER, FLU GAS - SHORT		<b>X</b>	<b>X</b>
16	AT0P-2096-1	ELBOW 90° 1/2 NPT TO 3/8 TUBE			<b>X</b>
17	AT2M-2824-1	BARRIER, FLU GAS - SHORT			<b>X</b>
18	AT0F-2908-1	HOSE CLAMP	<b>X</b>	<b>X</b>	<b>X</b>
20	AT0F-1017-41002	NUT, #10-24UNC HEX SERRATED	<b>X</b>	<b>X</b>	<b>X</b>
21	AT0F-2909-1	NPT PIPE LOCKNUT	<b>X</b>	<b>X</b>	<b>X</b>
22	AT0F-2909-2	COMPRESSION FITTING TO MALE PIPE	<b>X</b>	<b>X</b>	<b>X</b>
23	AT2M-3299-1	SHIELD, WIRE HEAT	<b>X</b>	<b>X</b>	<b>X</b>
24	AT0A-3506-1	GROUNDING HARNESS ASSEMBLY	<b>X</b>	<b>X</b>	<b>X</b>
25	AT2H-3637-1	GLASS, SIGHT	<b>X</b>	<b>X</b>	<b>X</b>
26	AT2M-3638-1	BRACKET, SIGHT GLASS	<b>X</b>	<b>X</b>	<b>X</b>
27	AT2A-2255-2	PILOT BURNER ASSEMBLY	<b>X</b>	<b>X</b>	<b>X</b>

AT2A-2818-1 - 24" COMBUSTION BOX ASSEMBLY

ITEM	PART NUMBER	DESCRIPTION
1	AT2A-2790-1	COMBUSTION BOX ASSEMBLY
2	AT2M-2795-1	BARRIER, FLUE GAS
3	AT2B-2131-1	20,000 BTU IR MAIN BURNER
5	AT0B-2890-1	ORIFICE, ADAPTER
6	AT0B-2891-1	ELBOW 90° COMPRESSION
7	AT2M-2791-1	SPACER, BURNER
8	AT2M-2792-1	BRACKET, STEP
9	AT2M-2881-1	DEFLECTOR, GAS GRIDDLE
10	AT0P-2094-1	ELBOW 90° COMPRESSION
11	AT0P-2090-1	TEE 1/2 NPT SCH 40
13	AT0P-2845-1	MALE CONNECTOR 45° FLARE FITTING
14	AT0P-2276-1	SEAMLESS TUBING
18	AT0F-2908-1	HOSE CLAMP
20	AT0F-1017-41002	NUT, #10-24UNC HEX SERRATED
21	AT0F-2909-1	NPT PIPE LOCKNUT
22	AT0F-2909-2	COMPRESSION FITTING TO MALE PIPE
23	AT2M-3299-1	SHIELD, WIRE HEAT
24	AT0A-3506-1	GROUNDING HARNESS ASSEMBLY
25	AT2H-3637-1	GLASS, SIGHT
26	AT2M-3638-1	BRACKET, SIGHT GLASS
27	AT2A-2255-2	PILOT BURNER ASSEMBLY



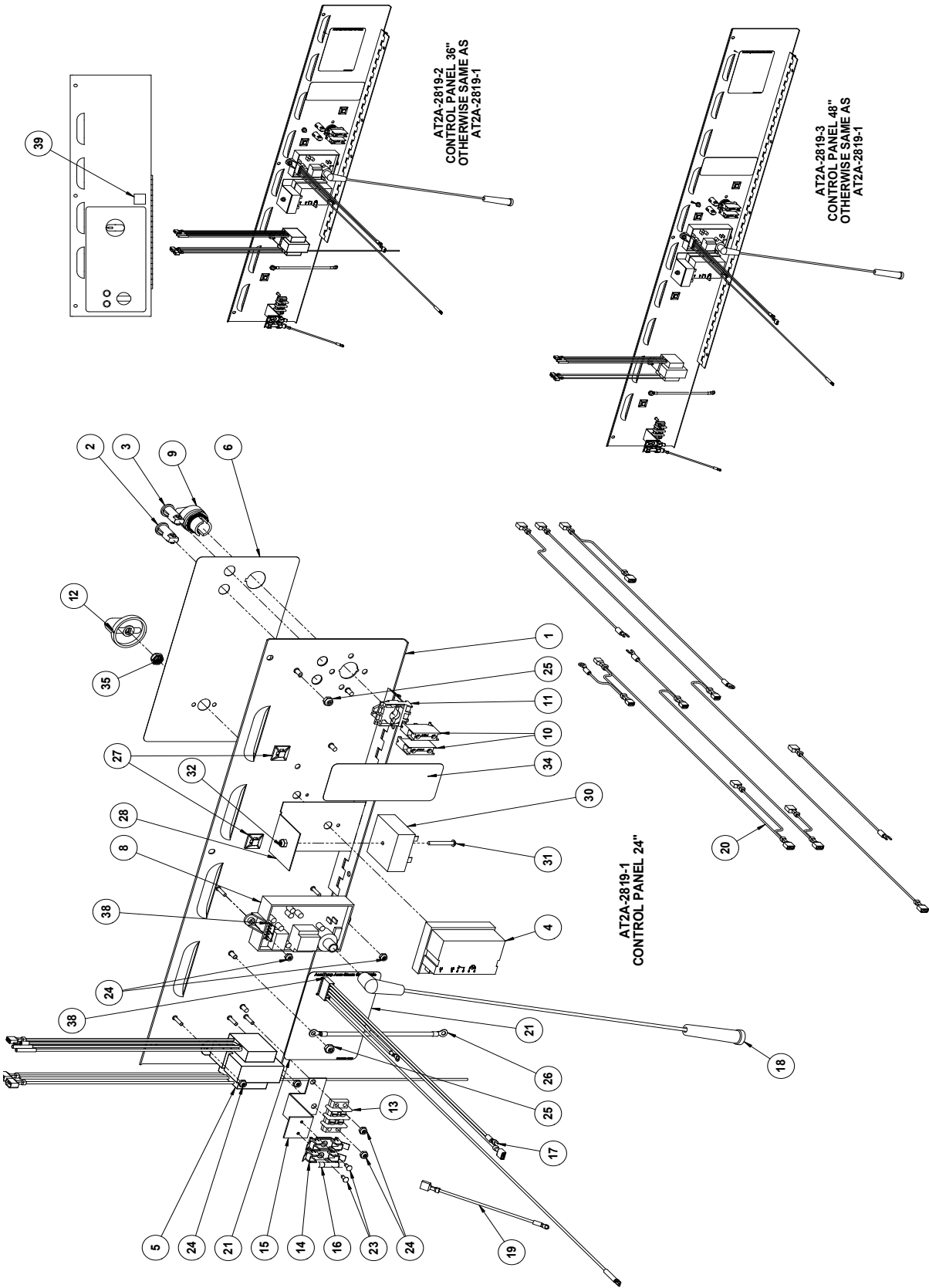
## AT2A-2255-2

AT2A-2255-2 REV K PILOT BURNER			
ITEM	PART NUMBER	DESCRIPTION	NOT FOR RESALE
1	AT2A-2785-1	PILOT BURNER/TUBE ASSEMBLY	NOT FOR RESALE
2	AT2E-2083-1	IGNITOR / SENSOR PROBE	NOT FOR RESALE
3	AT0F-2755-41040	SCREW, #10-24UNC X 1/2 PHILLIPS ROUND HEAD MACHINE	NOT FOR RESALE
4	AT2M-3569-1	BRACKET, BURNER, IGNITOR SENSOR & GROUND PLANE	NOT FOR RESALE
5	AT0F-2755-41022	SCREW, #10-24UNC X 1/4 PHILIPS ROUND HEAD MACHINE	NOT FOR RESALE
6	AT0F-2666-40000	WASHER, #10 INTERNAL TOOTH LOCK	NOT FOR RESALE
7	AT0F-1017-41001	NUT, #10-24UNC HEX SERRATED	NOT FOR RESALE
8	AT2A-2255-2	COMPLETE PILOT BURNER ASSEMBLY - INCLUDES ITEMS 1-7	
9	IGNITOR KIT	INCLUDES ITEMS 2-7	

ITEMS 1-7 ARE NOT AVAILABLE FOR PURCHASE INDIVIDUALLY.

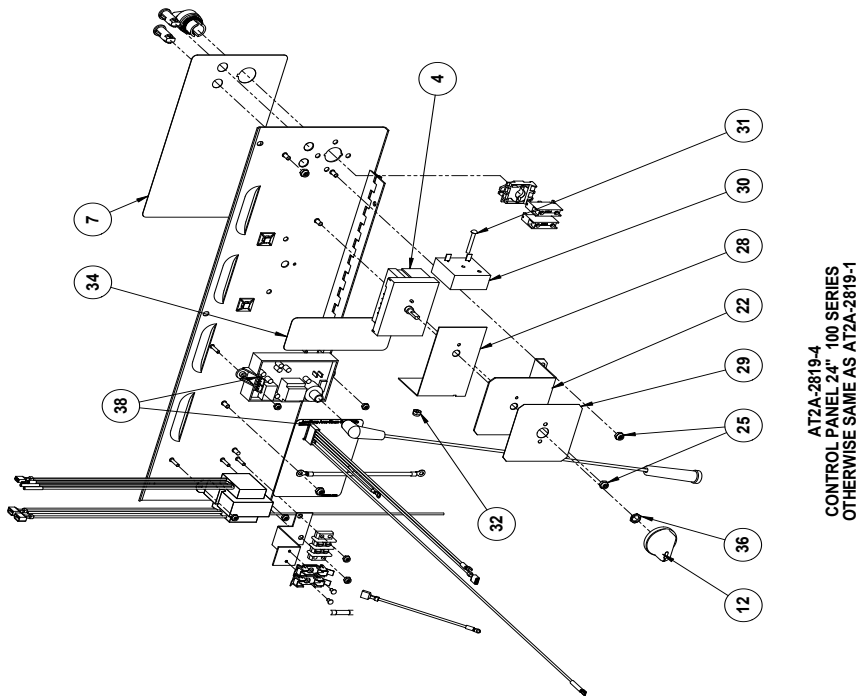
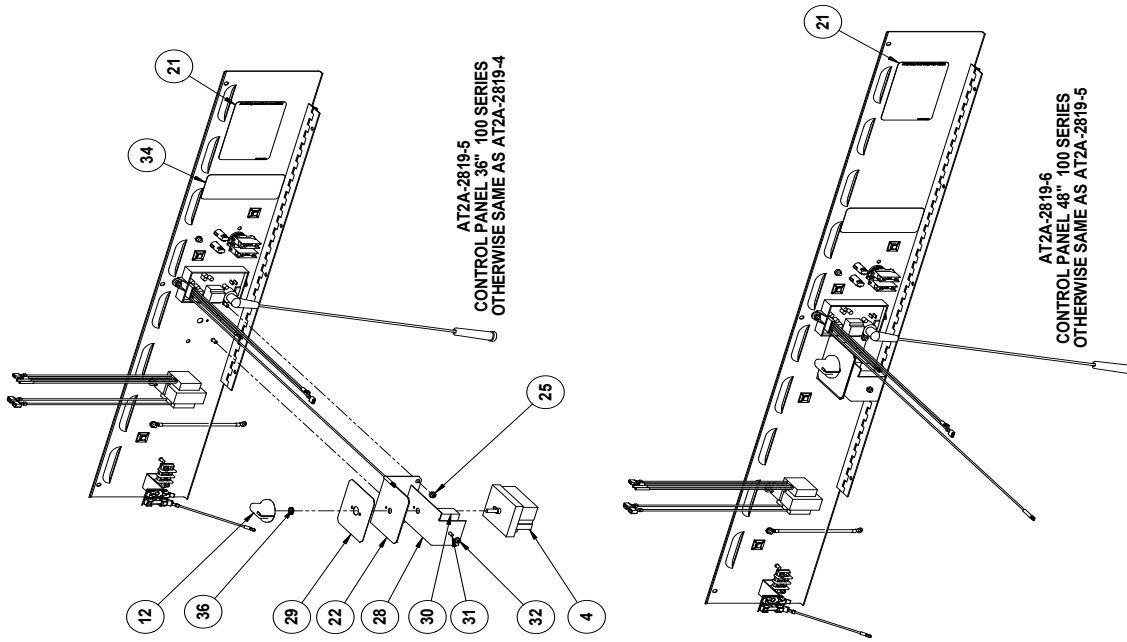
# CONTROL PANEL ASSEMBLY AT2A-2819 REV R EXTERNAL THERMOSTAT

## CONTROL PANEL ASSEMBLY AT2A-2819 REV R EXTERNAL THERMOSTAT



CONTROL PANEL ASSEMBLY AT2A-2819 REV R  
INTERNAL THERMOSTAT

CONTROL PANEL ASSEMBLY AT2A-2819 REV R  
INTERNAL THERMOSTAT

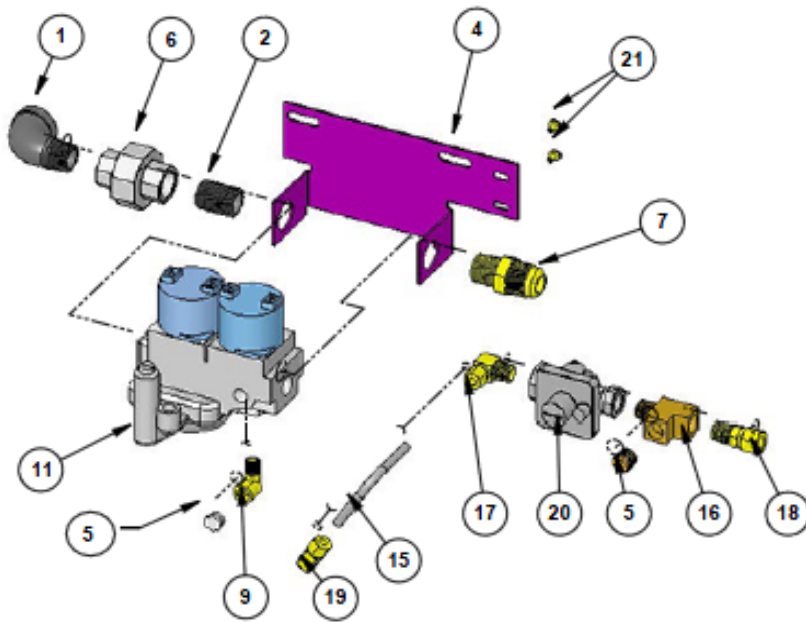


AT2A-2819 REV R - CONTROL PANEL ASSEMBLY					
ITEM	PART NUMBER	DESCRIPTION	24"	36"	48"
1	AT2A-2208-1	CONTROL PANEL WELD ASSEMBLY	X		
1	AT2A-2208-2	CONTROL PANEL WELD ASSEMBLY		X	
1	AT2A-2208-3	CONTROL PANEL WELD ASSEMBLY			X
2	AT0E-1800-1	INDICATOR LAMP GREEN INCANDESCENT 28V	X	X	X
3	AT0E-1800-2	INDICATOR LAMP RED INCANDESCENT 28V	X	X	X
4	AT0E-2559-6	TEMPERATURE CONTROLLER	X	X	X
5	AT0A-2779-2	TRANSFORMER ASSEMBLY	X	X	X
6	AT2L-2715-1	OVERLAY, CONTROL PANEL-EXTERNAL THERMOSTAT	X	X	X
7	AT2L-2715-2	OVERLAY, CONTROL PANEL-INTERNAL THERMOSTAT	X	X	X
8	AT2E-1807-1	IGNITION CONTROLLER	X	X	X
9	AT0E-3336-1	OPERATOR, AB ROTARY SWITCH	X	X	X
10	AT0E-3338-1	CONTACT BLOCK	X	X	X
11	AT0E-3339-1	MOUNTING LATCH	X	X	X
12	AT0H-1455-2	KNOB FOR D SHAFT	X	X	X
13	AT0E-1134-2	2 POSITION TERMINAL BLOCK	X	X	X
14	AT0E-2708-1	3AG OMNI-BLOK FUSE BLOCK 2 POS	X	X	X
15	AT2M-2820-1	BRACKET FUSE HOLDER	X	X	X
16	AT0E-2731-4	FUSE 3/4 AMP 250V SLO-BLO	X	X	X
17	AT0A-2719-3	MODULE HARNESS ASSEMBLY	X	X	X
18	AT2A-3541-1	IGNITION CABLE ASSEMBLY	X	X	X
19	AT2A-2822-1	HARNESS ASSEMBLY	X	X	X
20	AT2A-2898-3	HARNESS ASSEMBLY	X	X	X
21	AT2L-2043-2	WIRING DIAGRAM	X	X	X
22	AT2M-2906-1	BRACKET TEMP CONTROLLER		X	X
22	AT2M-2906-2	BRACKET TEMP CONTROLLER	X		
23	AT0F-2755-21020	SCREW, #6-32UNC X 1/4 PHILLIPS RHMS	X	X	X
24	AT0F-2691-21002	NUT, #6-32 NYLOC	X	X	X
25	AT0F-2691-41002	NUT, #10-24 NYLOC	X	X	X
26	AT0A-2914-1	LANYARD	X	X	X
27	AT0H-2887-1	CABLE TIE MOUNT	X	X	X
28	AT2M-2478	TIMER RELAY BRACKET	X	X	X
29	AT2L-2715-5	OVERLAY, CONTROL PANEL	X	X	X
30	AT0E-2500-1	TIMER RELAY	X	X	X
31	AT0F-2755-31102	SCREW, #8-32UNC X 1 1/4 PHILLIPS RHMS	X	X	X
32	AT0F-2691-31002	NUT, #8-32 NYLOC	X	X	X
34	AT2L-2014-1	SUPPLEMENTAL DATA TAG	X	X	X
35	AT0F-3371-1	NUT, ROTARY SHAFT SEAL	X	X	X
36	AT0F-3390-1	NUT, HEX THIN 3/8-32UNEF-2B	X	X	X

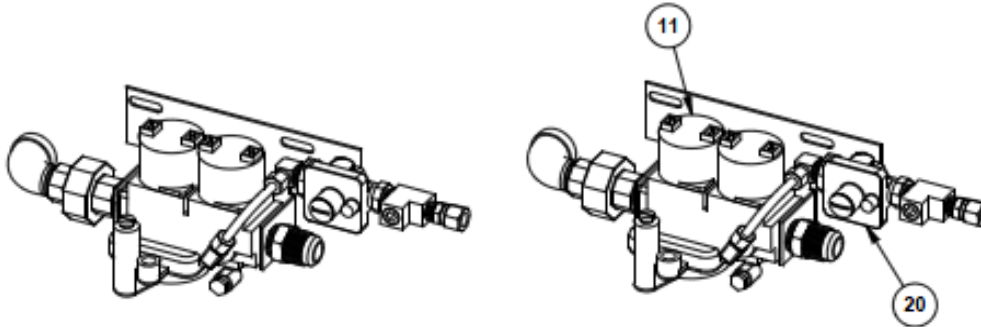
AT2A-2819 REV R - CONTROL PANEL ASSEMBLY

ITEM	PART NUMBER	DESCRIPTION	24"	36"	48"
38	AT0E-3540	GREASE, SILICONE DIELECTRIC	<b>X</b>	<b>X</b>	<b>X</b>
39	AT0L-3682-1	DECAL, ENERGY STAR	<b>X</b>	<b>X</b>	<b>X</b>





**AT2A-2850-3  
GAS CONTROL VALVE ASSEMBLY NATURAL GAS**



**AT2A-2850-3  
GAS CONTROL VALVE ASSEMBLY NATURAL GAS**

**AT2A-2850-4  
GAS CONTROL VALVE ASSEMBLY PROPANE  
OTHERWISE SAME AS AT2A-2850-3**

AT2A-2818-1 - 24" COMBUSTION BOX ASSEMBLY				
ITEM	PART NUMBER	DESCRIPTION	NG	LP
1	AT0P-2089-4	ELBOW, STREET 90°	<b>X</b>	<b>X</b>
2	AT0P-2091-4	CLOSE NIPPLE PIPE	<b>X</b>	<b>X</b>
4	AT2M-2838-2	BRACKET GAS REGULATOR	<b>X</b>	<b>X</b>
5	AT0P-3024-2	PLUG COUNTERSUNK HEX HEAD	<b>X</b>	<b>X</b>
6	AT0P-2843-1	UNION BLACK IRON PIPE	<b>X</b>	<b>X</b>
7	AT0P-2845-1	MALE CONNECTOR 45° FLARE FITTING	<b>X</b>	<b>X</b>
8	AT0P-2848-1	REDUCING HEX NIPPLE	<b>X</b>	<b>X</b>
9	AT0P-2849-3	STREET ELBOW 90°	<b>X</b>	<b>X</b>
10	AT0P-2858-1	TEE MALE BRANCH	<b>X</b>	<b>X</b>
11	AT2E-1806-2	CONTROL VALVE, GAS 5" W.C. NATURAL GAS	<b>X</b>	
11	AT2E-1806-3	CONTROL VALVE, GAS 10" W.C. PROPANE GAS		<b>X</b>

AT2A-2818-1 - 24" COMBUSTION BOX ASSEMBLY				
ITEM	PART NUMBER	DESCRIPTION	NG	LP
15	AT0P-3635-1	1/4 OD ALUMINUM TUBING	<b>X</b>	<b>X</b>
16	AT0P-3634-1	TEE, STREET 1/4 NPT	<b>X</b>	<b>X</b>
17	AT0P-2096-4	ELBOW 90° 1/4 NPT TO 1/4 TUBE	<b>X</b>	<b>X</b>
18	AT0P-2097-1	COMPRESSION FITTING TO MALE PIPE	<b>X</b>	<b>X</b>
19	AT0P-2096-3	ELBOW 90° 1/8 NPT TO 1/4 TUBE	<b>X</b>	<b>X</b>
20	AT0P-3692-1	PRESSURE REGULATOR, NATURAL GAS	<b>X</b>	
21	AT0P-3692-2	PRESSURE REGULATOR, PROPANE GAS		<b>X</b>
22	AT0F-3693-31022	SCREW, #8-32UNC X 1/4" PHILLIPS PAN HEAD	<b>X</b>	<b>X</b>