



Site Verification Form

Location Name:	<input type="text"/>	Territory Rep:	<input type="text"/>
Street Address:	<input type="text"/>	Date:	<input type="text"/>
State/ Zip Code:	<input type="text"/>	Install Company:	<input type="text"/>
Building Name/#:	<input type="text"/>	Installer's Phone #:	<input type="text"/>
Contact Name:	<input type="text"/>	Installer's Name:	<input type="text"/>
Contact Phone:	<input type="text"/>	Installer's Email:	<input type="text"/>
Contact Email:	<input type="text"/>	Additional Info:	<input type="text"/>

	Model Number	Serial Number (if known)
1		
2		
3		
4		

Installation Clearances

Check all doors, entryways and hallways from delivery point to installation area. Verify proper clearances on all sides of oven at installation point.

Spec sheets with dimensional information can be found Online at AccuTemp.net or in the installation manual. A quick reference chart has been provided below.

Measured door/entryway clearance	Door 1	<input type="text"/>	Door 2	<input type="text"/>	Door 3	<input type="text"/>
Measured hallway clearance	Hall 1	<input type="text"/>	Hall 2	<input type="text"/>	Hall 3	<input type="text"/>
Elevator opening	Door	<input type="text"/>				
Elevator internal dimensions	Height	<input type="text"/>	Width	<input type="text"/>	Depth	<input type="text"/>
Final Install point dimensions	Height	<input type="text"/>	Width	<input type="text"/>	Depth	<input type="text"/>

	Height (in)	Width (in)	Depth (in)	Weight (lbs)
611	32.6	36.7	32.3	265
623	23.7	26.9	23.1	146
1011	42.8	36.7	32.3	324
1221	52.9	43.7	37.8	582
2011	73.1	37.3	32.8	624
2021	71.5	45.5	37.9	774

Standard Oven Dimensions Reference Chart

Site Verification Form

Installation Clearances

CAUTION:

- Minimum distance from a non-heat source: 4 inches (10 cm)
- Minimum distance from a heat source (i.e. stove,griddle, fryer, kettle, skillet): 20 inches (50 cm)
- Minimum distance above equipment: 31 inches (80 cm)

Water Quality Requirements

It is the sole responsibility of the owner/operator/purchaser of this equipment to verify that the incoming water supply is comprehensively tested and if required, a means of "water treatment" must be provided that would meet compliance requirements with the water quality standards published below. Non-compliance with these minimum standards could potentially damage this equipment and/or components and VOID the original equipment manufacturer's warranty.

TWO (2) TOTAL COLD WATER INLETS: Drinking Quality

ONE (1) TREATED WATER INLET: BSPP to 3/8" hose

ONE (1) UNTREATED WATER INLET: BSPP to 3/8" hose

WATER DRAIN: 2" Connection (except 623 has a 1.5" connection)

Description	Value
Inlet Pressure	40 - 80psi
Free Chlorine	< 0.1 ppm (mg/l)
Total Chlorine	< 0.1 ppm (mg/l)
pH	7.0 - 8.5
Total Dissolved Solids (TDS)	<150 ppm (mg/l)
Water Hardness	< 90 ppm (mg/l)
Alkalinity (as CaC3)	< 60 ppm (mg/l)
Chlorides (Sulfate+Chloride+Nitrate)	< 40 ppm (mg/l)
Iron FE	< 0.1 ppm (mg/l)
Silica	< 13 ppm (mg/l)

Water Supply

Measured Water Pressure:

PSI

Cold tap water supply within 3 feet of combi?

YES

NO

Treated/RO water supply within 3 feet of combi?

YES

NO

Has a water analysis been completed?

YES

NO

Does water meet minimum quality standards?

YES

NO

Site Verification Form

Daily Water Usage

Model	Gallons Per Day (GPD)
623	19
611	32
1011	44
1221	63
2011	63
2021	101

*Daily water usage values are based on this duty cycle: 4 hours of steam, 1 rinse cycle, 4 more hours of steam, 1 extra strong wash cycle.

*Actual consumption may vary depending on use.

Drain

CAUTION

- Minimum distance from Floor Drain: 20 in
- Floor Drain must not be directly under the equipment.
- Minimum drain pipe length must Models 623, 611 & 1011: 20 in
- Minimum drain pipe length for Models 2011, 1221 & 2021: 40 in
- Use 2 in drain pipe for all combi ovens except the 623 which uses a 1.5 in drain pipe.

Is there a proper floor drain within 6 feet of combi? YES NO

Actual distance to floor drain?

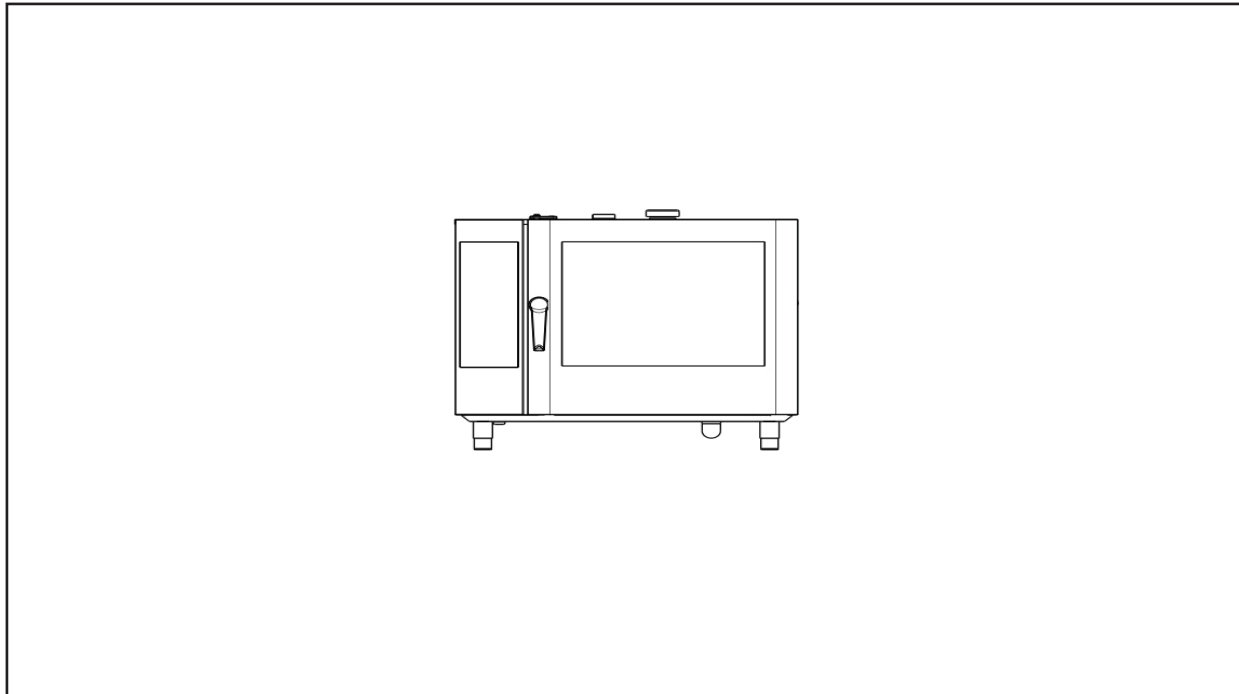
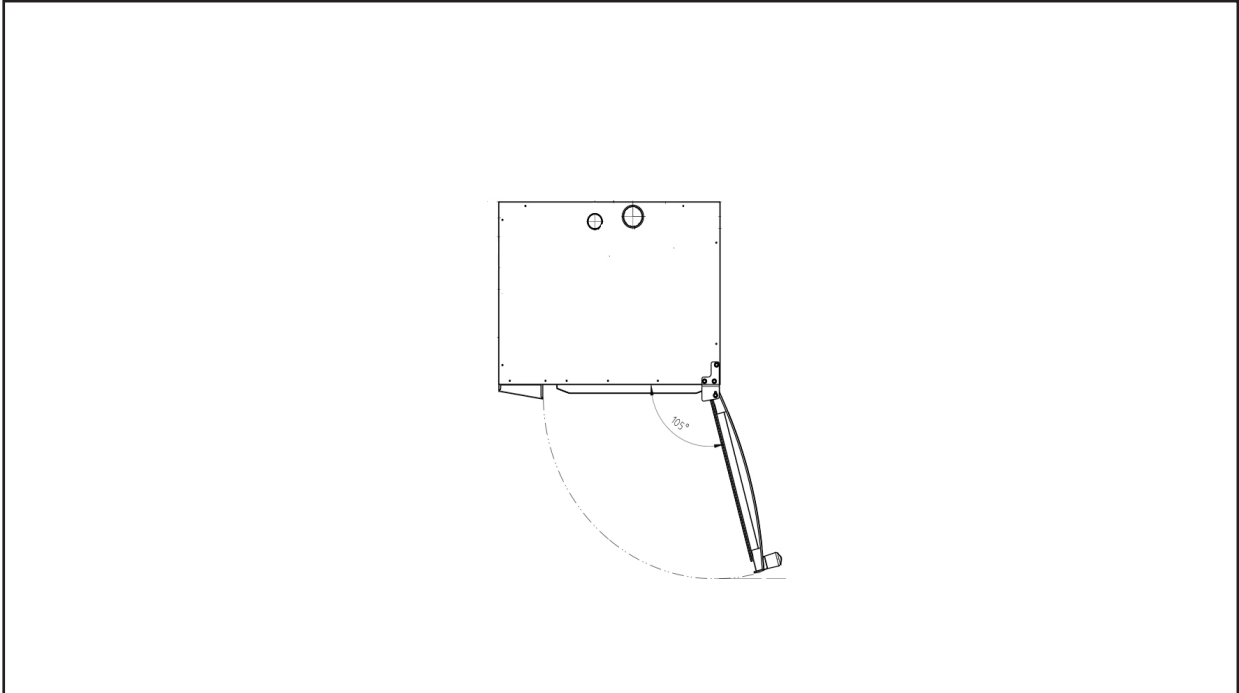
Is floor level? YES NO

Using the diagrams provided on page 4 mark the location of the drain.

- Draw a simple picture on how the oven's drain line will be routed to the floor drain.
- Be sure to use best practices when routing the line to keep it as short as possible.
- The drain line should have a descending slope. Verify 1/4" (in) slope to 1' (ft) of drain line.

Site Verification Form

Drain



Site Verification Form

Electrical (Outlet/Wall)

Circuit protection reference chart (required breaker amperage)

	0623	0611	1011	1221	2011	2021
208v 1Ø	20	45	-	-	-	-
240v 1Ø	25	50	-	-	-	-
208v 3Ø	15	25	45	80	90	150
240v 3Ø	15	30	50	90	100	175
480v 3Ø	10	15	25	45	45	80

Shaded box indicates a pig tail cord option is available from the factory

AccuTemp Products, Inc.'s appliances have been tested by Underwriters Laboratories (UL) to the NFPA 70 – National Electric Code (NEC) and the UL Standard for Safety for Commercial Electric Cooking Appliances (UL 197) to qualify our equipment as non-continuous loads, with respect to the NEC definition of continuous load and UL 197, Sections 28.1.4 and 48.1. This classification does not require installers to use an overcurrent protection device rated at 125% of the appliance current rating, with respect to NEC, Article 210.20 and UL 197, Section 17.1.4. With the requirement that our appliances operate on branch circuits only, the supply conductors and overcurrent protection device must have a minimum current ratings equal to or greater than the marked appliance current rating, with respect to NEC, Article 422.10.

Intended Oven Voltage/Phase: Voltage Phase

Measured Line Voltage: L1-G L2-G L3-G

L1-L2 L1-L3 L2-L3

Required Breaker/Fuse Size: (See above Chart)

Actual Breaker/Fuse Size at wall:

Hard Wired or Receptacle: Hard Wired Receptacle

Wire Gauge:

Distance from wall outlet to Combi:

If any values or criteria were not met, please list below along with plans of resolution:

SIGNATURE	PRINTED NAME	POSITION	DATE:

SEND IN FORM

Please complete and fax this form to AccuTemp Products @ **(260) 493-0318** or e-mail to **VisionService@AccuTemp.net** For technical questions please call **1-800-480-0415**