

Project: _____ Location: _____ Item #: _____ Quantity: _____

Standard Features

- Kettle System-Seamless deep-drawn 304 kettle liner with an integrally formed radius lip, 304 stainless draw off tube and welds, 304 stainless 2" compression draw-off
- 304 stainless kettle jacket
- Kettle protection system— thermostat temperature control, 150°F - 260°F, pressure relief valve, air eliminator valve, pressure gauge, jacket-water fill, automatic low water cut off and indicator light, safety pilot control
- Full body insulation between kettle jacket and outer casing
- Electric ignition, 120V standard
- 304 stainless outer casing seam welded to radius lip
- 304 stainless, seam welded control console
- 304 stainless lift off cover on 20-30 gallon
- 304 stainless, one piece, domed cover, actuator-assisted on 40-125 gallon
- Perforated disc strainer, 1/4" holes
- Adjustable bullet feet

Optional Features

- Single or dual faucet with bracket & 12" or 18" swing nozzle*
- 60" flexible spray hose assembly (vinyl or stainless) for dual or single faucet*
- Faucet bracket (ALFBST)
- Riser for table mounted fill faucet (ALRISER)
- Automatic water filling meter (ALAC-WS)
- Mixer/agitator, two speed (Call for pricing)
- Correctional Package*
- Adjustable flanged feet (ALFF-200)
- 316 Liner (AL316LNR)

* Call AccuTemp for additional information

Electrical Options

120V, 208V, 240V

Short Spec

AccuTemp Edges Series gas powered, 2/3 jacketed, non-tilting floor kettle, model ALLGB-XX (20-125 gallon capacity). Seamless deep-drawn 304 kettle liner with integrally formed radius lip and 304 stainless steel kettle jacket. 2" compression draw-off valve that includes a perforated disc strainer (1/4" holes), pressure relief valve, air eliminator valve, pressure gauge, jacket-water fill valve, automatic low water cut off and indicator light. 304 stainless domed cover with spring assisted (40-125 gallon units). Seam welded control console with thermostat temperature control, 150°F to 260°F (65°C to 126°C). Adjustable bullet feet.

Other Approvals

GAS-FIRED
UL
LISTED



Accessories

- Care Kit (ALKCK-L)
- Electric timer with buzzer (ALAT)
- Gas quick disconnect 1/2"*
- Flexible gas hose 3/4" x 60" (ALTQDH)
- Draw off drain hose (ALDIH)
- Disc strainer; solid or perforated, 1/8" or 1/4"*
- Measuring strip (ALMS)
- Lift-off or two piece hinged*
- One piece actuator-assisted lid, 20-60 gal. (ALACT-M)
- Single basket 20-40 gal. (ALSBI-M)
- Tri-basket insert (ALTBI-S)
- Nylon bag insert with spreader ring (ALNBI)
- 3" draw off valve optional

* Call AccuTemp for additional information

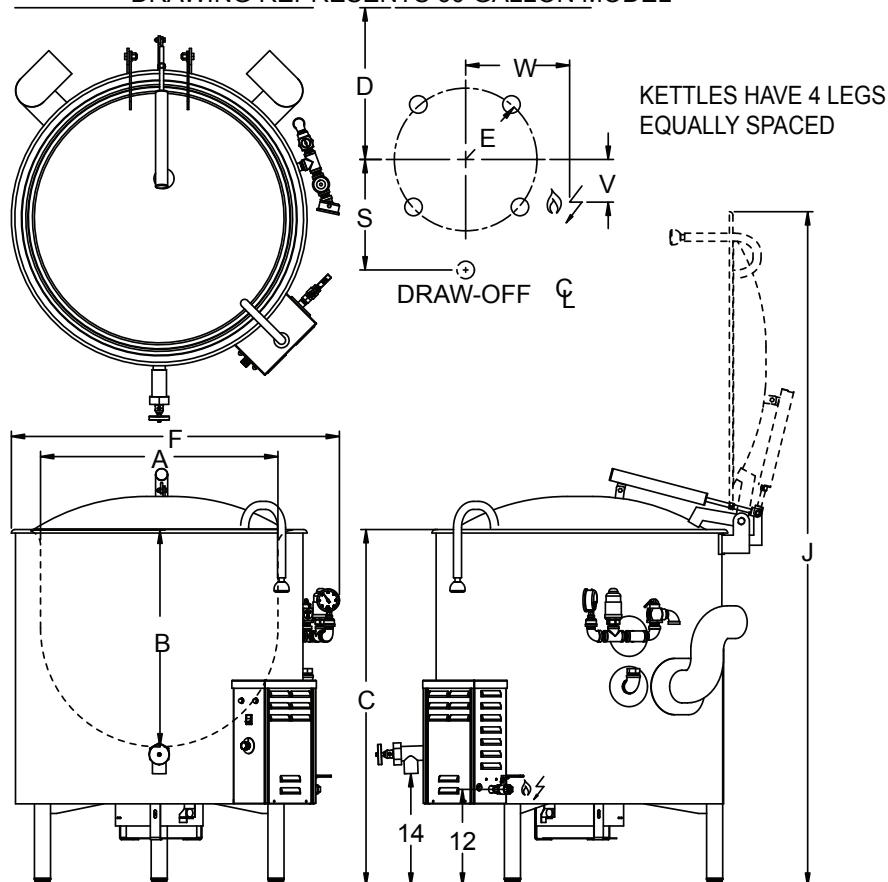


Model ALLGB-40 shown with included tangent draw off valve and lid

Gal.	BTU RATING		Natural	Propane	Electrical
	Natural	Propane			
20	63,200	59,600	Supply Piping: 1/2" IPS	Supply Piping: 1/2" IPS	120 volt (standard) 208/240 volt (optional) 50/60 Hz 1 Phase 1 Amp
25	66,700	67,800			
30	66,700	67,800			
40	79,900	83,100	Supply Piping: 3/4" IPS	Supply Piping: 3/4" IPS	
50	106,800	108,500			
60	106,800	108,500			
80	131,400	131,100	Supply Pressure: 5-7" W.C. (nominal)	Supply Pressure: 12-14" W.C. (nominal)	
100	154,800	149,200			
125	154,800	149,200			
			Outlet Pressure Factory Setting: 3.5" W.C.	Outlet Pressure Factory Setting: 10.0" W.C.	

MODEL ALLGB DIMENSIONS										
Gal.	A	B	C	D	E	F	J	S	V	W
20	22.0	16.0	32.0	24.1	12.9	34.4	64.0	17.2	9.1	16.2
25	23.0	17.8	34.4	24.6	13.4	35.4	67.4	17.7	9.4	16.5
30	23.0	20.3	37.1	24.6	13.4	35.4	70.1	17.7	9.4	16.5
40	25.5	22.3	42.0	25.8	14.6	37.1	77.5	18.9	10.3	17.4
50	29.5	21.8	38.4	27.8	16.6	41.1	77.9	20.9	11.8	18.8
60	29.5	25.0	41.7	27.8	16.6	41.1	81.2	20.9	11.8	18.8
80	32.5	27.6	45.1	29.3	18.1	44.1	87.6	22.4	12.8	19.9
100	39.0	25.9	43.4	32.6	21.4	50.6	92.4	25.7	15.1	22.2
125	44.0	26.4	43.3	35.1	23.9	55.6	97.3	28.2	16.9	24.0

DRAWING REPRESENTS 60 GALLON MODEL



MM6262-1906