

Project: \_\_\_\_\_ Location: \_\_\_\_\_ Item #: \_\_\_\_\_ Quantity: \_\_\_\_\_

**Standard Features**

- Fast cook, low temp, steam and hold modes
- Super Duty heater configuration
- No water or drain line required
- No hood required (in most areas)
- 3 gallon water reservoir
- Heating element not exposed to water
- No deliming, descaling, or blowdowns
- No water quality exclusions to warranty
- Heavy duty door
- Low water protection with light and buzzer
- Heat, cook, and hold indicator lights
- Fast cook and thermostat mode selector switch
- Vacuum and temperature gauges
- NSF certified as a holding cabinet
- 90 minute timer
- Right hand hinged door
- Quick release door—open door while cooking
- Patented vacuum technology for efficiency & faster cooking
- Continuous cook and hold mode settings on timer
- Power on/off switch
- Steamer cavity made of durable reinforced 14 ga. 304 stainless steel
- 5' power cord and plug included
- Front mounted drain valve
- Exclusive and patented low temperature steam cooking mode
- Multiple kilowatt outputs available to suit cooking needs
- One year parts and labor warranty
- Lifetime Service and Support Guarantee
- Stainless steel support stand with casters, bullet feet or flanged feet

**Optional Features**

- Door hinged on left
- Chain package—factory preset hold temperature; controls behind panel
- Military package
- Corrections package—tamper resistant
- Marine package
- Drain kit
- Double stacking stand conversion kit
- Perforated cooking shelf
- Water shield—covers water reservoir
- Steamer door crack open/hold open feature
- 4" full size (12x20x4") drain pan
- One year extended warranty

**Safety, Sanitation & Environmental**



- EPA 202 Evaluated / NFPA 96 4.1.1.2 Compliant



**Pan Capacities**

Pan Size	Qty.
#200 full size (12x20x2.5")	6
#400 full size (12x20x4")	4

**Short Spec**

Steam&Hold™ steamer is AccuTemp Products patented vacuum technology steamer cooker with 3 operating modes. Fast cook (212°F), low temperature steam mode (150–200°F) and NSF certified variable temperature hold mode. Steam to be produced inside the cooking cavity with no heating element exposed to water. No water or drain line required. Unit to include heavy duty door which will open at any time during cooking cycle. Steamer to include low water indicator light and buzzer with auto shutdown feature. Unit to be UL, NSF, CE, and Energy Star listed. Built in the USA.

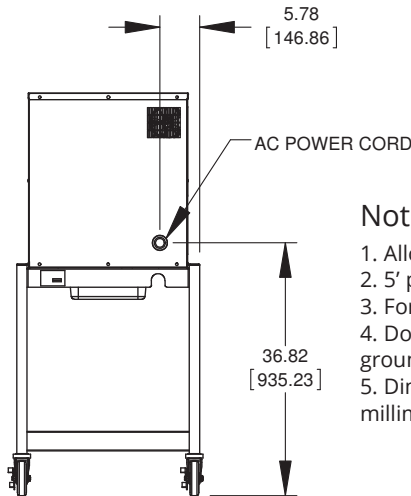
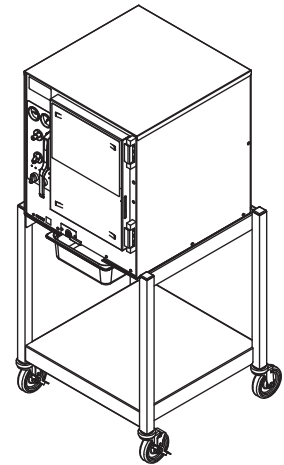


S6 Stand Mounted Steam&Hold™ Steam Cooker with optional 4" drain pan

Steamer Model "D" Specifications SGL = ONE CAVITY ON STAND								
Model #	S62081D060	S62401D060	S62083D100	S62403D110	S62403D130	S62083D150	S64403D120	S64803D140
Volts AC	208	240	208	240	240	208	440	480
Phase	1	1	3	3	3	3	3	3
Amps	29	25	28	26	32	42	16	17
Breaker Size	30 amp	30 amp	30 amp	30 amp	50 amp	50 amp	20 amp	20 amp
Watts	6kW	6kW	10kW	11kW	13kW	15kW	12kW	14kW
NEMA Plug	L6-30P	L6-30P	L15-30P	L15-30P	15-50P	15-50P	L16-20P	L16-20P

Steamer Model "F" Specifications - CE Models ONLY SGL = ONE CAVITY ON STAND					
Model #	S62301F070		S64005F110		
Volts AC	230		380	400	415
Phase	1		3	3	3
Amps	32		14	14	15
Breaker Size	40 amp		20 amp	20 amp	20 amp
Watts	7kW		9kW	10kW	11kW
IEC Plug	60309-2 2P/3W/6H 220-250V		60309-2 3P/5W/6H 220/380-240/415V		

Shipping Information	
Shipping Weight	249
Shipping Dimensions	32 x 36 x 80
Total Weight (1 crate)	249



**Notes:**

1. Allow 3" between fryer, ranges, and other hot surfaces.
2. 5' power cord supplied with single or 3 phase.
3. For use on individual branch circuit only.
4. Do not connect to a circuit operating at more than 150V to ground.
5. Dimensions outside brackets are inches, in brackets are millimeters.

