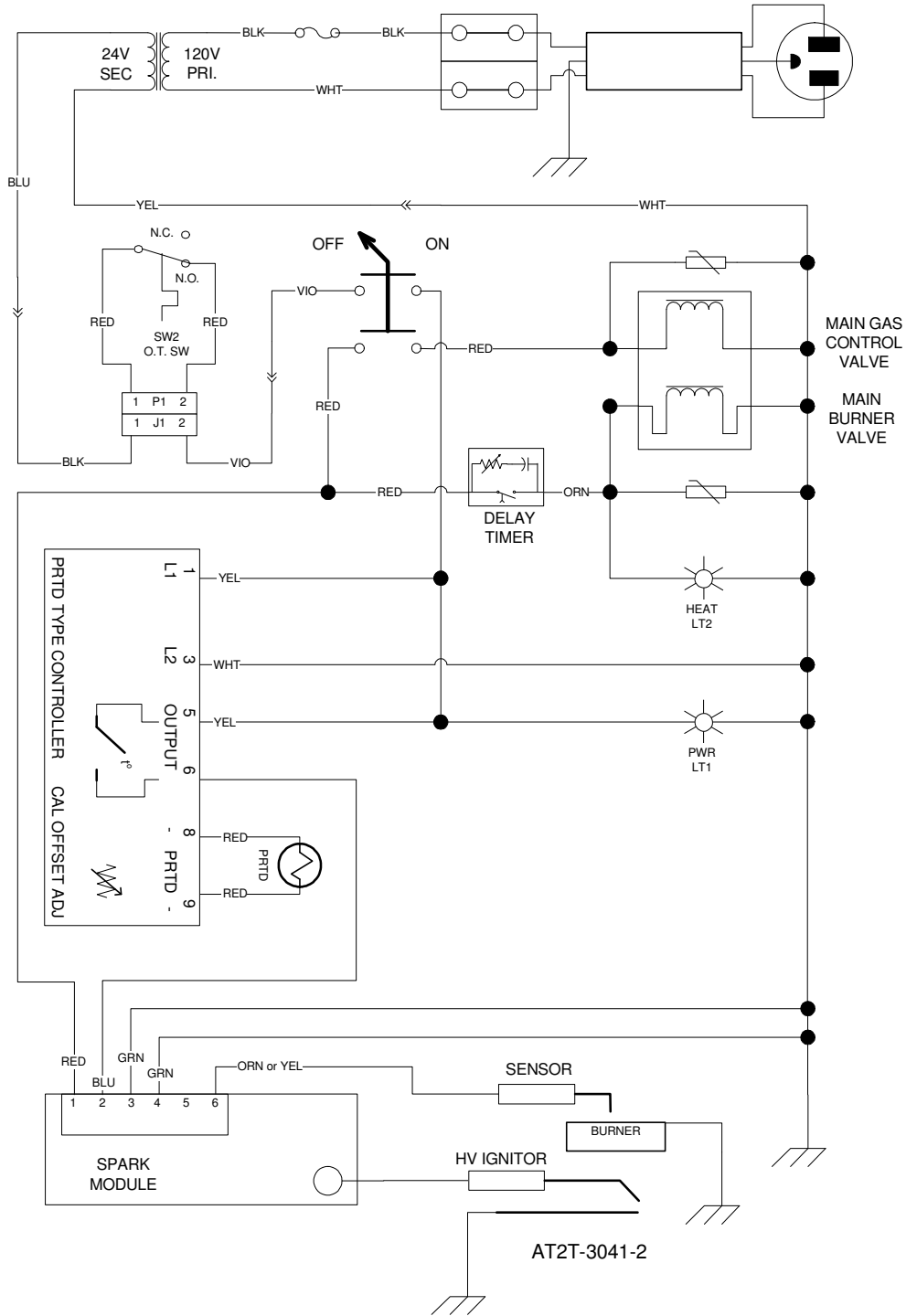


AT2T-3041-1

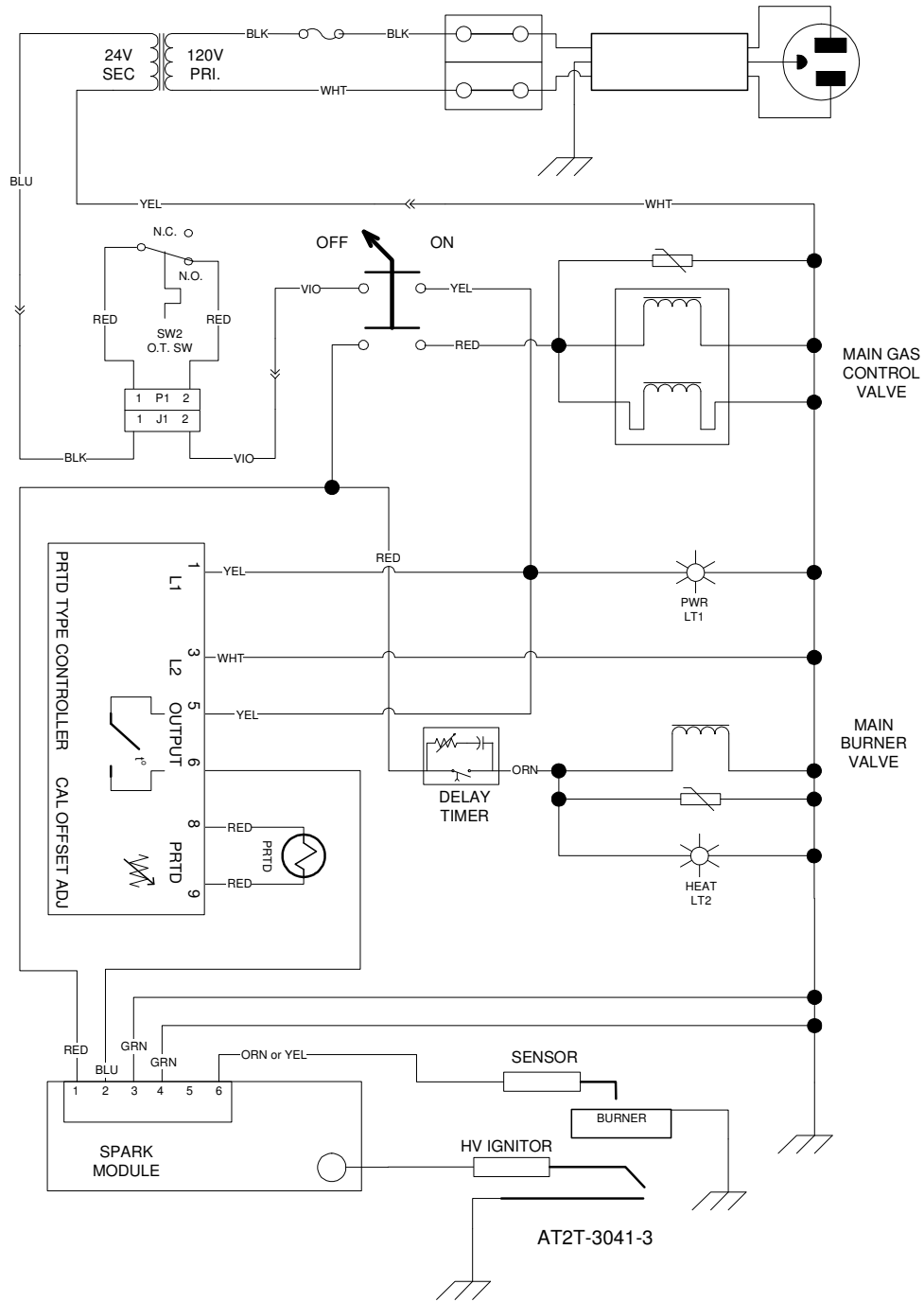
STANDARD IGNITION WITH DUAL VALVE & MAIN BURNER VALVE
 SERIAL NUMBER 7183 & BELOW



©

AT2T-3041-2

INTERMITTENT IGNITION DUAL VALVE
SERIAL NUMBER 7895 & ABOVE



©

AT2T-3041-3

INTERMITTENT IGNITION DUAL VALVE & MAIN BURNER VALVE

SERIAL NUMBER 7184 to 7894